



## DC Surge Protector

China Quality DC Surge Protector Manufacturers and Suppliers.

DC surge protector is suitable for the new energy solar power generation system, working voltage of 500V, 600V, 800V, 1000V. Installation position in the total power supply DC circuit systems, direct, indirect lightning current of lightning current or other transient over voltage protection.

Yuelong Electric (GHX) is a large-scale DC Surge Protector manufacturer and supplier in China. We have been specialized in DC Surge Protector for many years. Our products have a good price advantage and cover most of the Southeast Asia, India, Poland markets. We are looking forward to becoming your long-term partner.

## China Quality DC Surge Protector Manufacturers and Suppliers

### 1. Features of DC Surge Protector

- DC Surge Protector
- Status indicator
- Low residual, short response time
- Thermal disconnect device
- Temperature control to protect circuit
- DIN rail mounting for easy installation
- Plug connectors for quick and easy connection for rewiring

### 2. Application of DC Surge Protector

- DC power system
- DC distribution board
- DC power supply equipment
- DC distribution box
- Electrical information system cabinet
- Output of second power equipment

### 3. Product Parameter (Specification) of DC Surge Protector

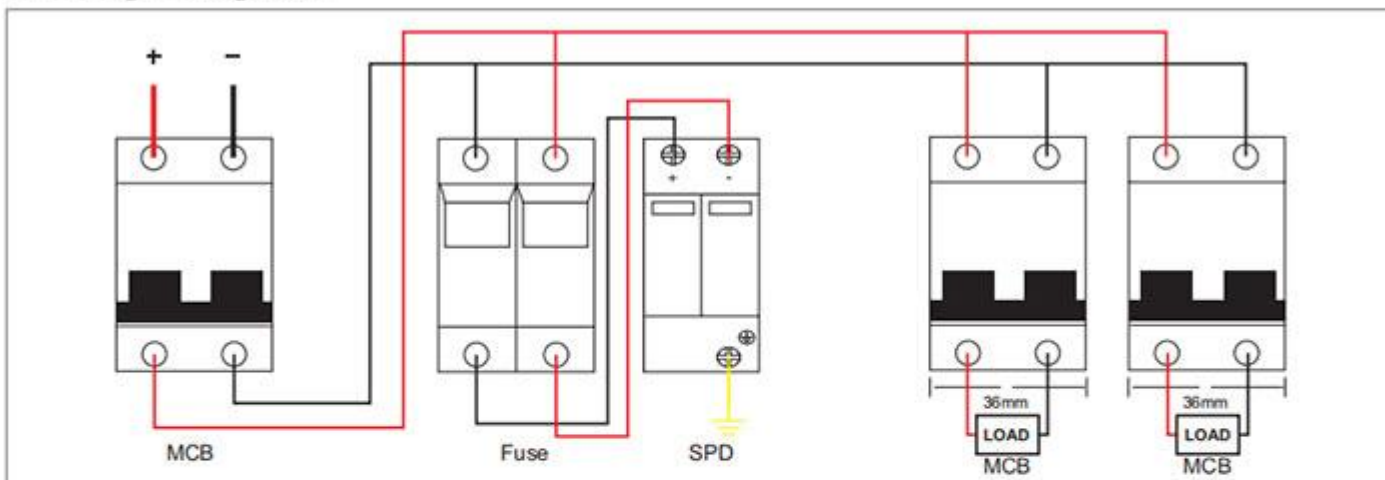
Model	DC Surge Protector 2P 40KA 600V
Pole	2P
Uoc max (V DC)	600V

Uc (V DC)	600V
In(8/20)us(kA)	20
I <sub>max</sub> (8/20)us(kA)	40
Up (kV)	2.5

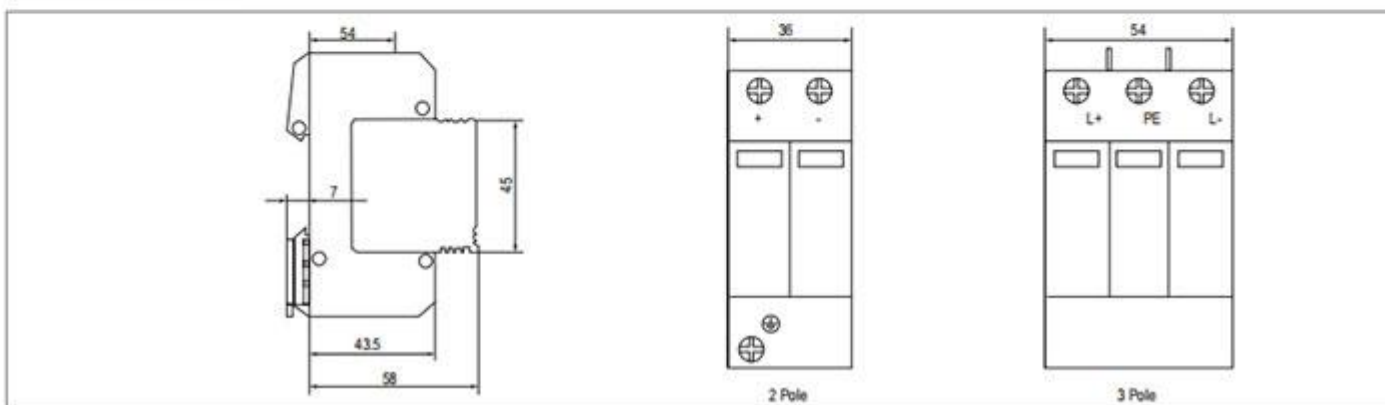
Technology	Short-Circuit Interruption(SCI) Overcurrent Protection
Response Time(TA)	< 25ns
Wiring capacity	Hard wire:4--25
	Flexible wire:4--16
Striping length	10
Terminal screw	M5
Torque(Nm)	Main circuit:3.5
	Remote singal control:0.25
Protection class	All profile:IP40
	Connection port:IP20
Installation environment	No obvious shock and cibration
Working Temperature	- 40℃to80℃
Standards Informations	IEC 61643-31 Type 2, IEC 61643-1 Class II

## Type2 Solar DC Surge Protective Device (DC SPD)

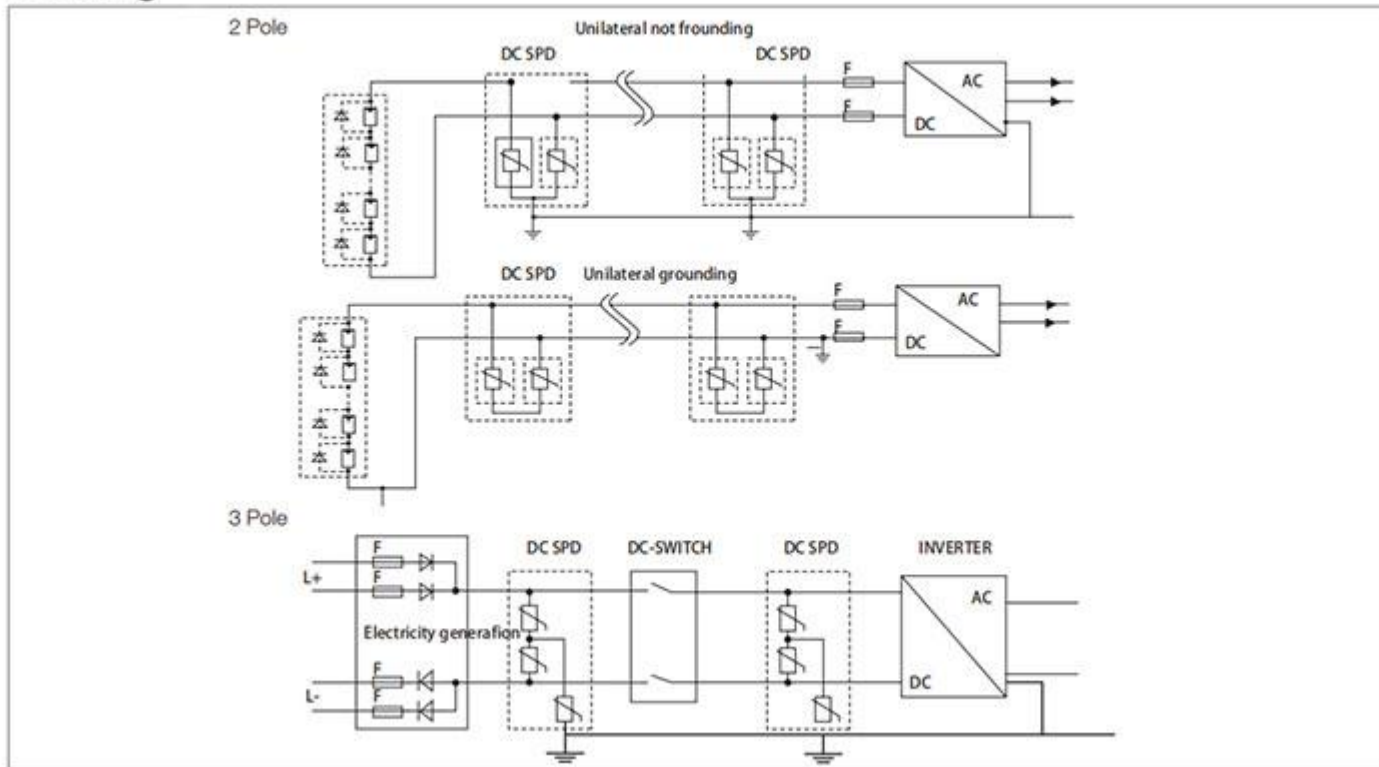
### Wiring Diagram



### Dimension



## Drawing



## 4.FAQ

**Q:When I can receive quotation and detail information after send the enquiry?**

A:Reply will be sent in 24hours.

**Q:What's the difference between you and other suppliers?**

A:We have our own design box with PC/ABS material.

**Q: Do you provide samples ? is it free or extra ?**

A:Yes, we could offer the sample for free charge but do not pay the cost of freight.

**Q:Can I get a sample for test before place order?**

A:Of course!

**Q:How's the delivery?Because I really need them is urgently?**

A:Samples cost 2-3 days. Bulk order cost 12-15 days.

**Q:If i want to release order, what's the payment method you accept ?**

A:We accept T/T, Western union, Trade Assurance.

**GHX<sup>®</sup>**

[www.ylongelec.com](http://www.ylongelec.com)

**Tel:**+86-13858881592

**Email:**[ceo@ylongelec.com](mailto:ceo@ylongelec.com)