

 **Printing on ecological paper** © ZHEJIANG YUELONG ELECTRIC CO.,LTD.

Important: The size shown in the figure may be slightly different from the physical size. The company has the right to modify or replace the above products without prior notice. Please contact our factory for the specific size data of the project. Due to printing, there are some differences between the colors of the official products and the pictures shown. All products are subject to the actual products.

## **ZHEJIANG YUELONG ELECTRIC CO.,LTD.**

ADD: Shenhe Pioneer Park B Buliding,Liushi Town,Yueqing City,Zhejiang Province,China

TEL: +0086-0577-62011015

FAX: +0086-0577-62620729

Website: <http://www.ylongelec.com>



Scan two-dimensional code  
browsing electronic sample

\* The Company reserves the right to make changes for the technical progress and upgrade of the products. Any changes will be made without prior notice.  
\* The pictures and technical instructions in this manual may be different from the actual ones. Please refer to the actual objects and operation instructions.  
\* There are many kinds of products, which cannot be recorded. For details, please contact our sales department or local distributors.  
\* All rights reserved. No unit or individual is allowed to reprint or reprint in whole or in part without permission.



Reputation, Quality and Win-Win

<http://www.ylongelec.com>

# Product selection manual

Create high-efficiency electrical products and  
create high-end electrical brands



**ZHEJIANG YUELONG ELECTRIC CO.,LTD.**

# **GHX<sup>®</sup>**

<http://www.ylongelec.com>

## **Company profile**

---

Zhejiang Yuelong Electric CO.,LTD is a professional solar PV components manufacturer located in Yueing City,China.We're specialized in DC circuit breakers,surge protective device,PV fusees,MC4 connectors etc. Our products approved in India,Vietnam,Thailand,Iraq,Iran,Poland etc. We can assure you perfect qualtiy and excellent service.

We are looking forward to having a good long-term cooperation with you and your company.







## Production workshop

Quality Based on Market

Quality-oriented, honest management, the subtle combination of technology and equipment have created a solid quality foundation for Yuelong. With a stable staff team, meticulous production management and standardized operation procedures, Yuelong has achieved efficient and stable production. Yuelong electric has established a perfect quality management process and closely monitored all links to ensure stable and controllable product quality. Yuelong devotes himself to creating an industry model with first-class level in the electrical industry. ....

<http://www.ylongelec.com>





## **Product catalog navigation**

**01** Type 1-Voltage Limited Type Surge Protective Device (AC SPD)

---

**04** DHEN Type SPD Type 2-Surge Protective Device (AC SPD)

---

**13** OBO Type SPD Type 2-Surge Protective Device (AC SPD)

---

**22** Combined SPD Type 1+ Type 2-Lightning current Arrester and Surge Arrester (AC SPD)

---

**25** Type 2-Surge protective Device PV DC SPD

---

**34** Combined SPD Type 1+ Type 2-Lightning current Arrester and Surge Arrester (PV DC SPD)

---

**37** Solar DC Mini Circuit Breaker (DC MCB)

---

**38** Solar DC Fuse with Fuse Holder

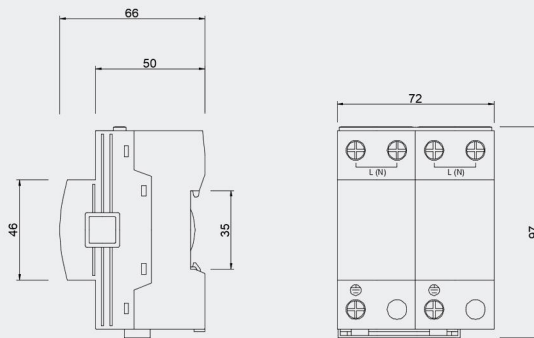
---

**40** Solar Connector

---

### Type 1-Voltage Limited Type Surge Protective Device

- \* Two-pole varistor surge protective device (AC SPD)
- \* Large discharge energy.
- \* No leakage and no follow current.
- \* Applied to surge protection at the first stage of the power supply system.
- \* Strong environmental resistance.
- \* DIN rail installation.



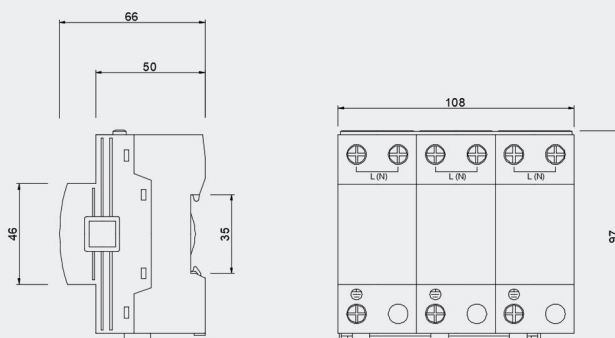
### Technical Parameters

Model	YL6-I 2P
SPD according to EN 61643-11/IEC 61643-11	Type 1 test/ Class I test
Nominal voltage (a.c.) (Un)	220/380V (50/60Hz)
Max. continuous operating voltage (a.c.) (Uc)	275/385/420V (50/60Hz)
Lightning impulse current (10/350μs) (Iimp)	15/25/50kA
Nominal discharge current (8/20μs) (In)	15/25/50kA
Voltage protection level (Up)	≤2.5kV
Insulation resistance	>100MΩ
Response time (ta)	≤100ns
Max. Back-up fuse	≤315A gL/gG
Operating temperature range (Tu)	-40°C...+80°C
For mounting on	35mm DIN rails acc. to EN 60715
Cross-sectional area(Min.)	6mm <sup>2</sup>
Cross-sectional area(Max.)	25mm <sup>2</sup>
Enclosure material	Thermoplastic, UL 94 V-0
Place of installation	Indoor installation
Degree of protection	IP 20
Demension (L*H*W)	97mm*72mm*66mm



### Type 1-Voltage Limited Type Surge Protective Device

- \* Three-pole varistor surge protective device (AC SPD)
- \* Large discharge energy.
- \* No leakage and no follow current.
- \* Applied to surge protection at the first stage of the power supply system.
- \* Strong environmental resistance.
- \* DIN rail installation.

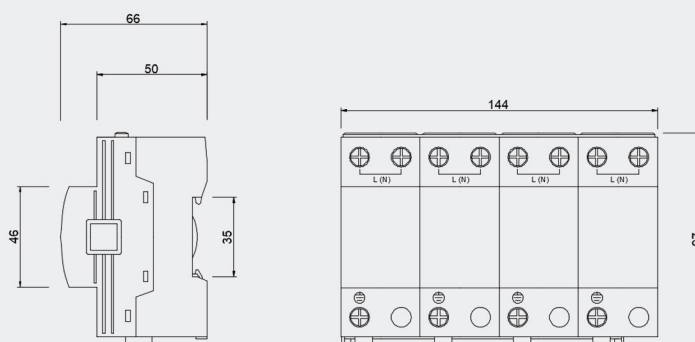


### Technical Parameters

Model	YL6-I 3P
SPD according to EN 61643-11/IEC 61643-11	Type 1 test/ Class I test
Nominal voltage (a.c.) (Un)	220/380V (50/60Hz)
Max. continuous operating voltage (a.c.) (Uc)	275/385/420V (50/60Hz)
Lightning impulse current (10/350μs) (Iimp)	15/25/50kA
Nominal discharge current (8/20μs) (In)	15/25/50kA
Voltage protection level (Up)	≤2.5kV
Insulation resistance	>100MΩ
Response time (ta)	≤100ns
Max. Back-up fuse	≤315A gL/gG
Operating temperature range (Tu)	-40°C...+80°C
For mounting on	35mm DIN rails acc. to EN 60715
Cross-sectional area(Min.)	6mm <sup>2</sup>
Cross-sectional area(Max.)	25mm <sup>2</sup>
Enclosure material	Thermoplastic, UL 94 V-0
Place of installation	Indoor installation
Degree of protection	IP 20
Demension (L*H*W)	97mm*108mm*66mm

### Type 1-Voltage Limited Type Surge Protective Device

- \* Four-pole varistor surge protective device (AC SPD)
- \* Large discharge energy.
- \* No leakage and no follow current.
- \* Applied to surge protection at the first stage of the power supply system.
- \* Strong environmental resistance.
- \* DIN rail installation.



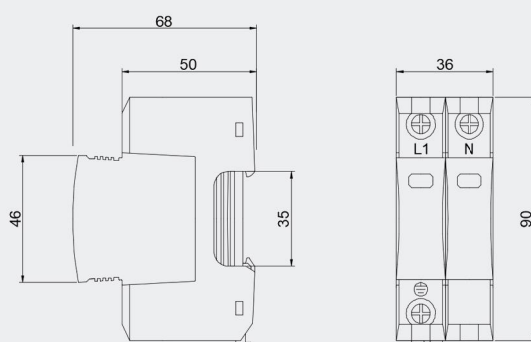
### Technical Parameters

Model	YL6-I-4P
SPD according to EN 61643-11/IEC 61643-11	Type 1 test/ Class I test
Nominal voltage (a.c.) (Un)	220/380V (50/60Hz)
Max. continuous operating voltage (a.c.) (Uc)	275/385/420V (50/60Hz)
Lightning impulse current (10/350μs) (Iimp)	15/25/50kA
Nominal discharge current (8/20μs) (In)	15/25/50kA
Voltage protection level (Up)	≤2.5kV
Insulation resistance	>100MΩ
Response time (ta)	≤100ns
Max. Back-up fuse	≤315A gL/gG
Operating temperature range (Tu)	-40°C...+80°C
For mounting on	35mm DIN rails acc. to EN 60715
Cross-sectional area(Min.)	6mm <sup>2</sup>
Cross-sectional area(Max.)	25mm <sup>2</sup>
Enclosure material	Thermoplastic, UL 94 V-0
Place of installation	Indoor installation
Degree of protection	IP 20
Demension (L*H*W)	97mm*144mm*66mm



### DHEN Type SPD Type 2-Surge Protective Device (SPD)

- \* Two-pole varistor surge protective device (AC SPD)
- \* Visual indication and optional remote contact signaling(S).
- \* The Prewired complete unit consisting of a base part and replaceable plug-in protection modules.
- \* Installation at the boundary of zones LPZ1 and LPZ2.
- \* The Modular surge arrester for use in AC or DC PV system.
- \* DIN rail installation.

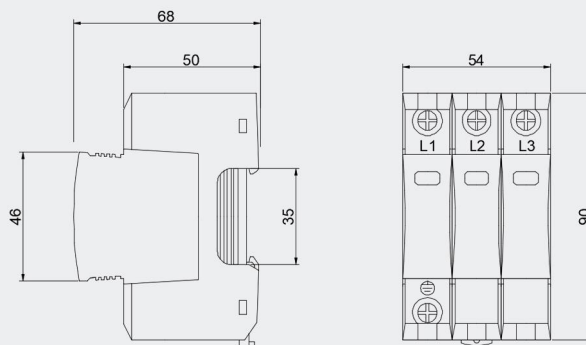


### Technical Parameters

Model	YL1-B60 2P
SPD according to EN 61643-11/IEC 61643-11	Type 2 / Class II
Nominal voltage (a.c.) (Un)	230/275/385/420V (50/60Hz)
Max. continuous operating voltage (a.c.) (Uc)	275/385/420V (50/60Hz)
Nominal discharge current (8/20μs) (In)	30kA
Max. discharge current (8/20μs) (Imax)	60kA
Voltage protection level (Up)	≤2.2kV
Response time (ta)	≤25ns
Max. Back-up fuse	≤125A gL/gG
Short-circuit current rating (Iscrr)	25kArms
Operating temperature range (Tu)	-40°C...+80°C
Operating state/fault indication	Green (good)/ Red (repalce)
For mounting on	35mm DIN rails acc. to EN 60715
Cross-sectional area(Min.)	4mm <sup>2</sup>
Cross-sectional area(Max.)	35mm <sup>2</sup>
Stripping Length/ Tightening torque	10mm/ 3Nm
Enclosure material	Thermoplastic, UL 94 V-0
Place of installation	Indoor installation
Degree of protection	IP 20
Demension (L*H*W)	90mm*36mm*68mm

### DHEN Type SPD Type 2-Surge Protective Device (SPD)

- \* Three-pole varistor surge protective device (AC SPD)
- \* Visual indication and optional remote contact signaling(S).
- \* The Prewired complete unit consisting of a base part and replaceable plug-in protection modules.
- \* Installation at the boundary of zones LPZ1 and LPZ2.
- \* The Modular surge arrester for use in AC or DC PV system.
- \* DIN rail installation.



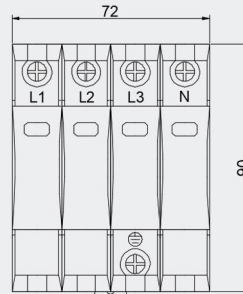
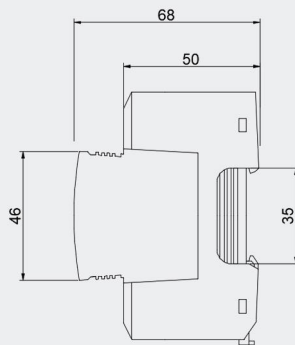
### Technical Parameters

Model	YL1-B60 3P
SPD according to EN 61643-11/IEC 61643-11	Type 2 / Class II
Nominal voltage (a.c.) (Un)	230/275/385/420V (50/60Hz)
Max. continuous operating voltage (a.c.) (Uc)	275/385/420V (50/60Hz)
Nominal discharge current (8/20μs) (In)	30kA
Max. discharge current (8/20μs) (Imax)	60kA
Voltage protection level (Up)	≤2.2kV
Response time (ta)	≤25ns
Max. Back-up fuse	≤125A gL/gG
Short-circuit current rating (Iscrr)	25kArms
Operating temperature range (Tu)	-40°C...+80°C
Operating state/fault indication	Green (good)/ Red (repalce)
For mounting on	35mm DIN rails acc. to EN 60715
Cross-sectional area(Min.)	4mm <sup>2</sup>
Cross-sectional area(Max.)	35mm <sup>2</sup>
Stripping Length/ Tightening torque	10mm/ 3Nm
Enclosure material	Thermoplastic, UL 94 V-0
Place of installation	Indoor installation
Degree of protection	IP 20
Demension (L*H*W)	90mm*54mm*68mm



## DHEN Type SPD Type 2-Surge Protective Device (SPD)

- \* Four-pole varistor surge protective device (AC SPD)
- \* Visual indication and optional remote contact signaling(S).
- \* The Prewired complete unit consisting of a base part and replaceable plug-in protection modules.
- \* Installation at the boundary of zones LPZ1 and LPZ2.
- \* The Modular surge arrester for use in AC or DC PV system.
- \* DIN rail installation.

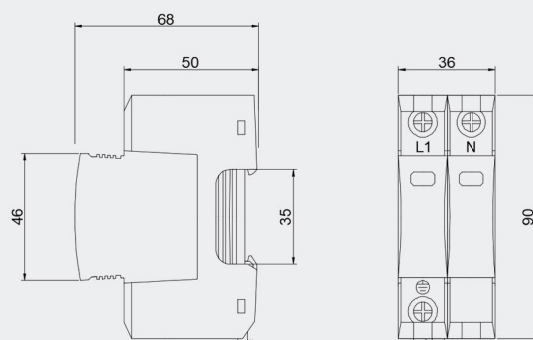


## Technical Parameters

Model	YL1-B60 4P
SPD according to EN 61643-11/IEC 61643-11	Type 2 / Class II
Nominal voltage (a.c.) (Un)	230/275/385/420V (50/60Hz)
Max. continuous operating voltage (a.c.) (Uc)	275/385/420V (50/60Hz)
Nominal discharge current (8/20μs) (In)	30kA
Max. discharge current (8/20μs) (Imax)	60kA
Voltage protection level (Up)	≤2.2kV
Response time (ta)	≤25ns
Max. Back-up fuse	≤125A gL/gG
Short-circuit current rating (Iscrr)	25kArms
Operating temperature range (Tu)	-40°C...+80°C
Operating state/fault indication	Green (good)/ Red (repalce)
For mounting on	35mm DIN rails acc. to EN 60715
Cross-sectional area(Min.)	4mm <sup>2</sup>
Cross-sectional area(Max.)	35mm <sup>2</sup>
Stripping Length/ Tightening torque	10mm/ 3Nm
Enclosure material	Thermoplastic, UL 94 V-0
Place of installation	Indoor installation
Degree of protection	IP 20
Demension (L*H*W)	90mm*72mm*68mm

### DHEN Type SPD Type 2-Surge Protective Device (SPD)

- \* Two-pole varistor surge protective device (AC SPD)
- \* Visual indication and optional remote contact signaling(S).
- \* The Prewired complete unit consisting of a base part and replaceable plug-in protection modules.
- \* Installation at the boundary of zones LPZ1 and LPZ2.
- \* The Modular surge arrester for use in AC or DC PV system.
- \* DIN rail installation.



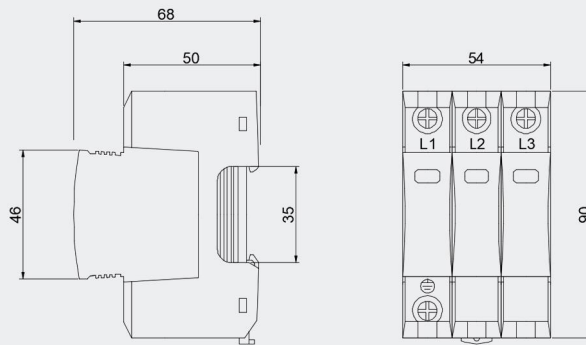
### Technical Parameters

Model	YL1-C40 2P
SPD according to EN 61643-11/IEC 61643-11	Type 2 / Class II
Nominal voltage (a.c.) (Un)	230/275/385/420V (50/60Hz)
Max. continuous operating voltage (a.c.) (Uc)	275/385/420V (50/60Hz)
Nominal discharge current (8/20μs) (In)	20kA
Max. discharge current (8/20μs) (Imax)	40kA
Voltage protection level (Up)	≤1.8kV
Response time (ta)	≤25ns
Max. Back-up fuse	≤125A gL/gG
Short-circuit current rating (Iscrr)	25kArms
Operating temperature range (Tu)	-40°C...+80°C
Operating state/fault indication	Green (good)/ Red (repalce)
For mounting on	35mm DIN rails acc. to EN 60715
Cross-sectional area(Min.)	4mm <sup>2</sup>
Cross-sectional area(Max.)	35mm <sup>2</sup>
Stripping Length/ Tightening torque	10mm/ 3Nm
Enclosure material	Thermoplastic, UL 94 V-0
Place of installation	Indoor installation
Degree of protection	IP 20
Demension (L*H*W)	90mm*36mm*68mm



## DHEN Type SPD Type 2-Surge Protective Device (SPD)

- \* Three-pole varistor surge protective device (AC SPD)
- \* Visual indication and optional remote contact signaling(S).
- \* The Prewired complete unit consisting of a base part and replaceable plug-in protection modules.
- \* Installation at the boundary of zones LPZ1 and LPZ2.
- \* The Modular surge arrester for use in AC or DC PV system.
- \* DIN rail installation.

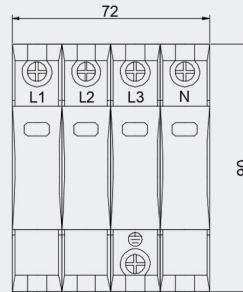
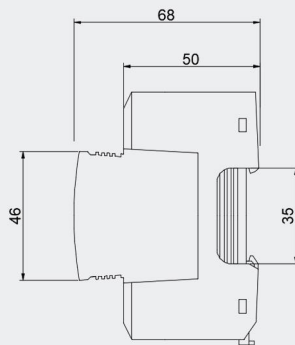


## Technical Parameters

Model	YL1-C40 3P
SPD according to EN 61643-11/IEC 61643-11	Type 2 / Class II
Nominal voltage (a.c.) (Un)	230/275/385/420V (50/60Hz)
Max. continuous operating voltage (a.c.) (Uc)	275/385/420V (50/60Hz)
Nominal discharge current (8/20μs) (In)	20kA
Max. discharge current (8/20μs) (Imax)	40kA
Voltage protection level (Up)	≤1.8kV
Response time (ta)	≤25ns
Max. Back-up fuse	≤125A gL/gG
Short-circuit current rating (Iscrr)	25kArms
Operating temperature range (Tu)	-40°C...+80°C
Operating state/fault indication	Green (good)/ Red (repalce)
For mounting on	35mm DIN rails acc. to EN 60715
Cross-sectional area(Min.)	4mm <sup>2</sup>
Cross-sectional area(Max.)	35mm <sup>2</sup>
Stripping Length/ Tightening torque	10mm/ 3Nm
Enclosure material	Thermoplastic, UL 94 V-0
Place of installation	Indoor installation
Degree of protection	IP 20
Demension (L*H*W)	90mm*54mm*68mm

## DHEN Type SPD Type 2-Surge Protective Device (SPD)

- \* Four-pole varistor surge protective device (AC SPD)
- \* Visual indication and optional remote contact signaling(S).
- \* The Prewired complete unit consisting of a base part and replaceable plug-in protection modules.
- \* Installation at the boundary of zones LPZ1 and LPZ2.
- \* The Modular surge arrester for use in AC or DC PV system.
- \* DIN rail installation.

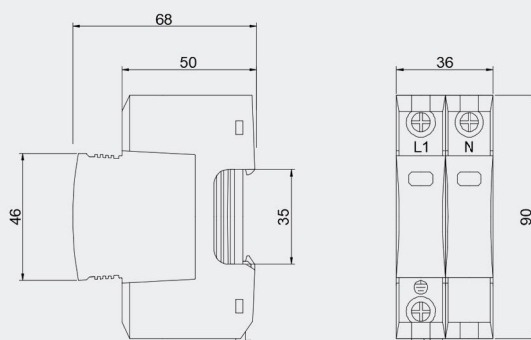


## Technical Parameters

Model	YL1-C40 4P
SPD according to EN 61643-11/IEC 61643-11	Type 2 / Class II
Nominal voltage (a.c.) (Un)	230/275/385/420V (50/60Hz)
Max. continuous operating voltage (a.c.) (Uc)	275/385/420V (50/60Hz)
Nominal discharge current (8/20μs) (In)	20kA
Max. discharge current (8/20μs) (Imax)	40kA
Voltage protection level (Up)	≤1.8kV
Response time (ta)	≤25ns
Max. Back-up fuse	≤125A gL/gG
Short-circuit current rating (Iscrr)	25kArms
Operating temperature range (Tu)	-40°C...+80°C
Operating state/fault indication	Green (good)/ Red (repalce)
For mounting on	35mm DIN rails acc. to EN 60715
Cross-sectional area(Min.)	4mm <sup>2</sup>
Cross-sectional area(Max.)	35mm <sup>2</sup>
Stripping Length/ Tightening torque	10mm/ 3Nm
Enclosure material	Thermoplastic, UL 94 V-0
Place of installation	Indoor installation
Degree of protection	IP 20
Demension (L*H*W)	90mm*72mm*68mm

### DHEN Type SPD Type 2-Surge Protective Device (SPD)

- \* Two-pole varistor surge protective device (AC SPD)
- \* Visual indication and optional remote contact signaling(S).
- \* The Prewired complete unit consisting of a base part and replaceable plug-in protection modules.
- \* Installation at the boundary of zones LPZ1 and LPZ2.
- \* The Modular surge arrester for use in AC or DC PV system.
- \* DIN rail installation.



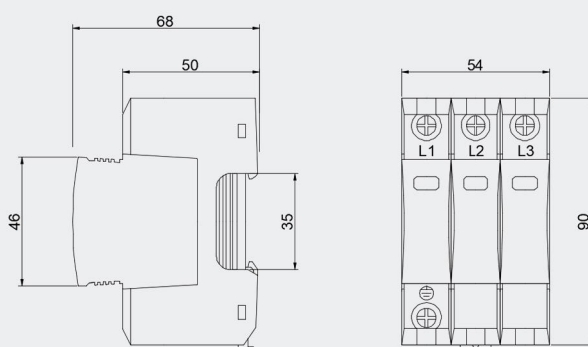
### Technical Parameters

Model	YL1-D20 2P
SPD according to EN 61643-11/IEC 61643-11	Type 2 / Class II
Nominal voltage (a.c.) (Un)	230/275/385/420V (50/60Hz)
Max. continuous operating voltage (a.c.) (Uc)	275/385/420V (50/60Hz)
Nominal discharge current (8/20μs) (In)	10kA
Max. discharge current (8/20μs) (Imax)	20kA
Voltage protection level (Up)	≤1.5kV
Response time (ta)	≤25ns
Max. Back-up fuse	≤125A gL/gG
Short-circuit current rating (Iscrr)	25kArms
Operating temperature range (Tu)	-40°C...+80°C
Operating state/fault indication	Green (good)/ Red (repalce)
For mounting on	35mm DIN rails acc. to EN 60715
Cross-sectional area(Min.)	4mm <sup>2</sup>
Cross-sectional area(Max.)	35mm <sup>2</sup>
Stripping Length/ Tightening torque	10mm/ 3Nm
Enclosure material	Thermoplastic, UL 94 V-0
Place of installation	Indoor installation
Degree of protection	IP 20
Demension (L*H*W)	90mm*36mm*68mm



### DHEN Type SPD Type 2-Surge Protective Device (SPD)

- \* Three-pole varistor surge protective device (AC SPD)
- \* Visual indication and optional remote contact signaling(S).
- \* The Prewired complete unit consisting of a base part and replaceable plug-in protection modules.
- \* Installation at the boundary of zones LPZ1 and LPZ2.
- \* The Modular surge arrester for use in AC or DC PV system.
- \* DIN rail installation.

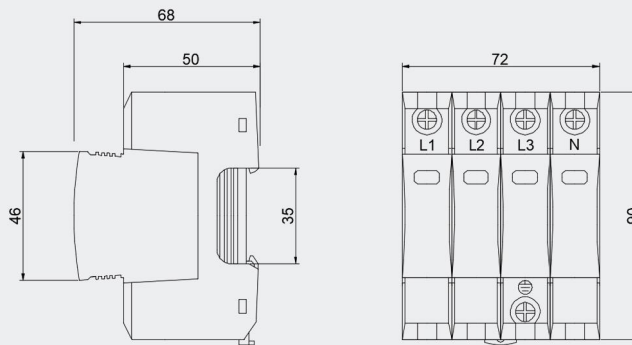


### Technical Parameters

Model	YL1-D20 3P
SPD according to EN 61643-11/IEC 61643-11	Type 2 / Class II
Nominal voltage (a.c.) (Un)	230/275/385/420V (50/60Hz)
Max. continuous operating voltage (a.c.) (Uc)	275/385/420V (50/60Hz)
Nominal discharge current (8/20μs) (In)	10kA
Max. discharge current (8/20μs) (Imax)	20kA
Voltage protection level (Up)	≤1.5kV
Response time (ta)	≤25ns
Max. Back-up fuse	≤125A gL/gG
Short-circuit current rating (Iscrr)	25kArms
Operating temperature range (Tu)	-40°C...+80°C
Operating state/fault indication	Green (good)/ Red (repalce)
For mounting on	35mm DIN rails acc. to EN 60715
Cross-sectional area(Min.)	4mm <sup>2</sup>
Cross-sectional area(Max.)	35mm <sup>2</sup>
Stripping Length/ Tightening torque	10mm/ 3Nm
Enclosure material	Thermoplastic, UL 94 V-0
Place of installation	Indoor installation
Degree of protection	IP 20
Demension (L*H*W)	90mm*54mm*68mm

## ▶ DHEN Type SPD Type 2-Surge Protective Device (SPD)

- \* Four-pole varistor surge protective device (AC SPD)
- \* Visual indication and optional remote contact signaling(S).
- \* The Prewired complete unit consisting of a base part and replaceable plug-in protection modules.
- \* Installation at the boundary of zones LPZ1 and LPZ2.
- \* The Modular surge arrester for use in AC or DC PV system.
- \* DIN rail installation.

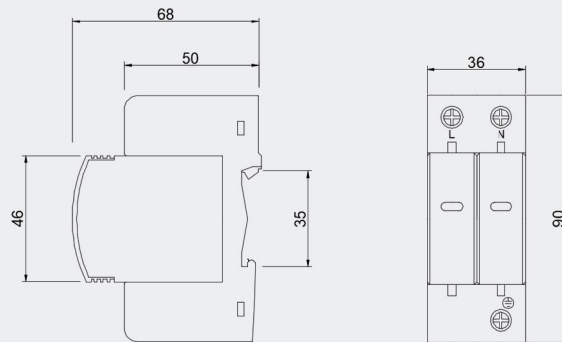


## Technical Parameters

Model	YL1-D20 4P
SPD according to EN 61643-11/IEC 61643-11	Type 2 / Class II
Nominal voltage (a.c.) (Un)	230/275/385/420V (50/60Hz)
Max. continuous operating voltage (a.c.) (Uc)	275/385/420V (50/60Hz)
Nominal discharge current (8/20μs) (In)	10kA
Max. discharge current (8/20μs) (Imax)	20kA
Voltage protection level (Up)	≤1.5kV
Response time (ta)	≤25ns
Max. Back-up fuse	≤125A gL/gG
Short-circuit current rating (Iscrr)	25kArms
Operating temperature range (Tu)	-40°C...+80°C
Operating state/fault indication	Green (good)/ Red (repalce)
For mounting on	35mm DIN rails acc. to EN 60715
Cross-sectional area(Min.)	4mm <sup>2</sup>
Cross-sectional area(Max.)	35mm <sup>2</sup>
Stripping Length/ Tightening torque	10mm/ 3Nm
Enclosure material	Thermoplastic, UL 94 V-0
Place of installation	Indoor installation
Degree of protection	IP 20
Demension (L*H*W)	90mm*72mm*68mm

### OBO Type SPD Type 2-Surge Protective Device (SPD)

- \* Two-pole varistor surge protective device (AC SPD)
- \* Visual indication and optional remote contact signaling(S).
- \* The Prewired complete unit consisting of a base part and plug-in protection modules.
- \* Installation at the boundary of zones LPZ1 and LPZ2.
- \* The Modular surge arrester for use in AC or DC PV system.
- \* DIN rail installation.



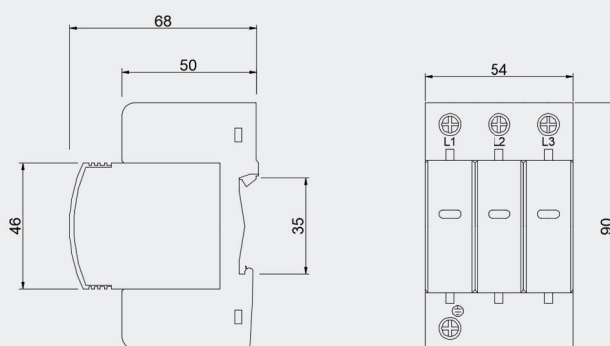
### Technical Parameters

Model	YL1-B60 2P
SPD according to EN 61643-11/IEC 61643-11	Type 2 / Class II
Nominal voltage (a.c.) (Un)	230/275/385/420V (50/60Hz)
Max. continuous operating voltage (a.c.) (Uc)	275/385/420V (50/60Hz)
Nominal discharge current (8/20 $\mu$ s) (In)	30kA
Max. discharge current (8/20 $\mu$ s) (Imax)	60kA
Voltage protection level (Up)	$\leq 2.2$ kV
Response time (ta)	$\leq 25$ ns
Max. Back-up fuse	$\leq 125$ A gL/gG
Short-circuit current rating (Iscrr)	25kArms
Operating temperature range (Tu)	-40 $^{\circ}$ C...+80 $^{\circ}$ C
Operating state/fault indication	Green (good)/ Red (repalce)
For mounting on	35mm DIN rails acc. to EN 60715
Cross-sectional area(Min.)	4mm <sup>2</sup>
Cross-sectional area(Max.)	35mm <sup>2</sup>
Stripping Length/ Tightening torque	10mm/ 3Nm
Enclosure material	Thermoplastic, UL 94 V-0
Place of installation	Indoor installation
Degree of protection	IP 20
Demension (L*H*W)	90mm*36mm*68mm



### OBO Type SPD Type 2-Surge Protective Device (SPD)

- \* Three-pole varistor surge protective device (AC SPD)
- \* Visual indication and optional remote contact signaling(S).
- \* The Prewired complete unit consisting of a base part and plug-in protection modules.
- \* Installation at the boundary of zones LPZ1 and LPZ2.
- \* The Modular surge arrester for use in AC or DC PV system.
- \* DIN rail installation.

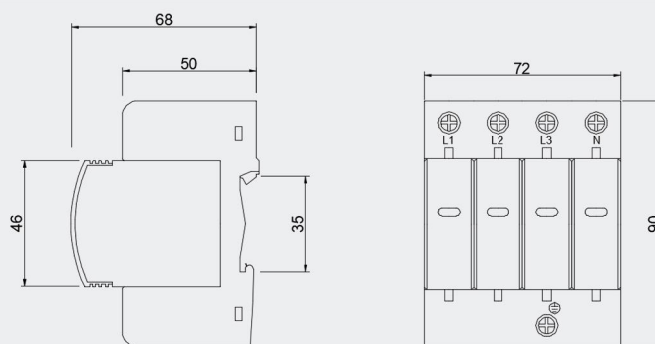


### Technical Parameters

Model	YL1-B60 3P
SPD according to EN 61643-11/IEC 61643-11	Type 2 / Class II
Nominal voltage (a.c.) (Un)	230/275/385/420V (50/60Hz)
Max. continuous operating voltage (a.c.) (Uc)	275/385/420V (50/60Hz)
Nominal discharge current (8/20μs) (In)	30kA
Max. discharge current (8/20μs) (Imax)	60kA
Voltage protection level (Up)	≤2.2kV
Response time (ta)	≤25ns
Max. Back-up fuse	≤125A gL/gG
Short-circuit current rating (Iscrr)	25kArms
Operating temperature range (Tu)	-40°C...+80°C
Operating state/fault indication	Green (good)/ Red (repalce)
For mounting on	35mm DIN rails acc. to EN 60715
Cross-sectional area (Min.)	4mm <sup>2</sup>
Cross-sectional area (Max.)	35mm <sup>2</sup>
Stripping Length/ Tightening torque	10mm/ 3Nm
Enclosure material	Thermoplastic, UL 94 V-0
Place of installation	Indoor installation
Degree of protection	IP 20
Demension (L*H*W)	90mm*54mm*68mm

### OBO Type SPD Type 2-Surge Protective Device (SPD)

- \* Four-pole varistor surge protective device (AC SPD)
- \* Visual indication and optional remote contact signaling(S).
- \* The Prewired complete unit consisting of a base part and plug-in protection modules.
- \* Installation at the boundary of zones LPZ1 and LPZ2.
- \* The Modular surge arrester for use in AC or DC PV system.
- \* DIN rail installation.

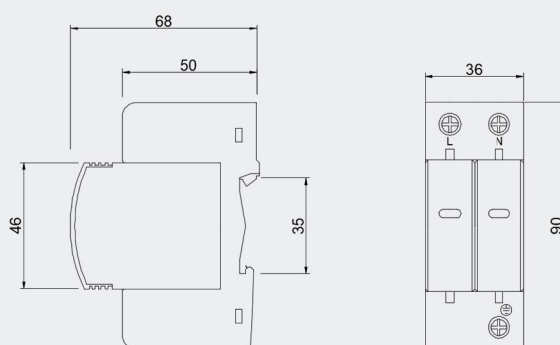


### Technical Parameters

Model	YL1-B60 4P
SPD according to EN 61643-11/IEC 61643-11	Type 2 / Class II
Nominal voltage (a.c.) (Un)	230/275/385/420V (50/60Hz)
Max. continuous operating voltage (a.c.) (Uc)	275/385/420V (50/60Hz)
Nominal discharge current (8/20μs) (In)	30kA
Max. discharge current (8/20μs) (Imax)	60kA
Voltage protection level (Up)	≤2.2kV
Response time (ta)	≤25ns
Max. Back-up fuse	≤125A gL/gG
Short-circuit current rating (Iscrr)	25kArms
Operating temperature range (Tu)	-40°C...+80°C
Operating state/fault indication	Green (good)/ Red (repalce)
For mounting on	35mm DIN rails acc. to EN 60715
Cross-sectional area(Min.)	4mm <sup>2</sup>
Cross-sectional area(Max.)	35mm <sup>2</sup>
Stripping Length/ Tightening torque	10mm/ 3Nm
Enclosure material	Thermoplastic, UL 94 V-0
Place of installation	Indoor installation
Degree of protection	IP 20
Demension (L*H*W)	90mm*72mm*68mm

### OBO Type SPD Type 2-Surge Protective Device (SPD)

- \* Two-pole varistor surge protective device (AC SPD)
- \* Visual indication and optional remote contact signaling(S).
- \* The Prewired complete unit consisting of a base part and plug-in protection modules.
- \* Installation at the boundary of zones LPZ1 and LPZ2.
- \* The Modular surge arrester for use in AC or DC PV system.
- \* DIN rail installation.

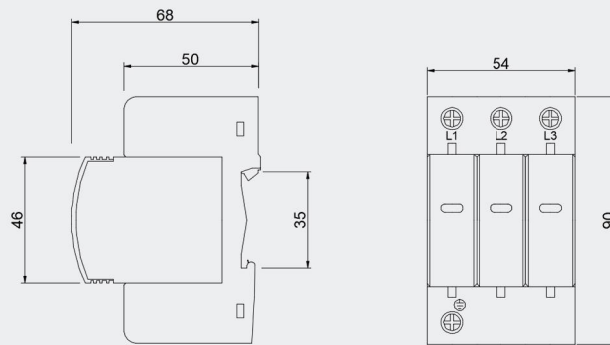


### Technical Parameters

Model	YL1-C40 2P
SPD according to EN 61643-11/IEC 61643-11	Type 2 / Class II
Nominal voltage (a.c.) (Un)	230/275/385/420V (50/60Hz)
Max. continuous operating voltage (a.c.) (Uc)	275/385/420V (50/60Hz)
Nominal discharge current (8/20 $\mu$ s) (In)	20kA
Max. discharge current (8/20 $\mu$ s) (Imax)	40kA
Voltage protection level (Up)	$\leq 1.8$ kV
Response time (ta)	$\leq 25$ ns
Max. Back-up fuse	$\leq 125$ A gL/gG
Short-circuit current rating (Iscrr)	25kArms
Operating temperature range (Tu)	-40 $^{\circ}$ C...+80 $^{\circ}$ C
Operating state/fault indication	Green (good)/ Red (repalce)
For mounting on	35mm DIN rails acc. to EN 60715
Cross-sectional area(Min.)	4mm <sup>2</sup>
Cross-sectional area(Max.)	35mm <sup>2</sup>
Stripping Length/ Tightening torque	10mm/ 3Nm
Enclosure material	Thermoplastic, UL 94 V-0
Place of installation	Indoor installation
Degree of protection	IP 20
Demension (L*H*W)	90mm*36mm*68mm

## OBO Type SPD Type 2-Surge Protective Device (SPD)

- \* Three-pole varistor surge protective device (AC SPD)
- \* Visual indication and optional remote contact signaling(S).
- \* The Prewired complete unit consisting of a base part and plug-in protection modules.
- \* Installation at the boundary of zones LPZ1 and LPZ2.
- \* The Modular surge arrester for use in AC or DC PV system.
- \* DIN rail installation.



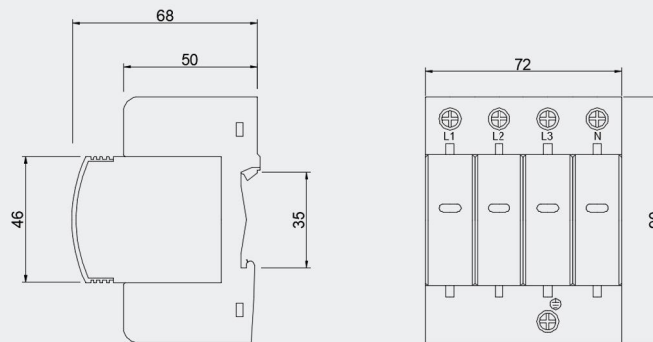
## Technical Parameters

Model	YL1-C40 3P
SPD according to EN 61643-11/IEC 61643-11	Type 2 / Class II
Nominal voltage (a.c.) (Un)	230/275/385/420V (50/60Hz)
Max. continuous operating voltage (a.c.) (Uc)	275/385/420V (50/60Hz)
Nominal discharge current (8/20μs) (In)	20kA
Max. discharge current (8/20μs) (Imax)	40kA
Voltage protection level (Up)	≤1.8kV
Response time (ta)	≤25ns
Max. Back-up fuse	≤125A gL/gG
Short-circuit current rating (Iscrr)	25kArms
Operating temperature range (Tu)	-40°C...+80°C
Operating state/fault indication	Green (good)/ Red (repalce)
For mounting on	35mm DIN rails acc. to EN 60715
Cross-sectional area (Min.)	4mm <sup>2</sup>
Cross-sectional area (Max.)	35mm <sup>2</sup>
Stripping Length/ Tightening torque	10mm/ 3Nm
Enclosure material	Thermoplastic, UL 94 V-0
Place of installation	Indoor installation
Degree of protection	IP 20
Demension (L*H*W)	90mm*54mm*68mm



## OBO Type SPD Type 2-Surge Protective Device (SPD)

- \* Four-pole varistor surge protective device (AC SPD)
- \* Visual indication and optional remote contact signaling(S).
- \* The Prewired complete unit consisting of a base part and plug-in protection modules.
- \* Installation at the boundary of zones LPZ1 and LPZ2.
- \* The Modular surge arrester for use in AC or DC PV system.
- \* DIN rail installation.

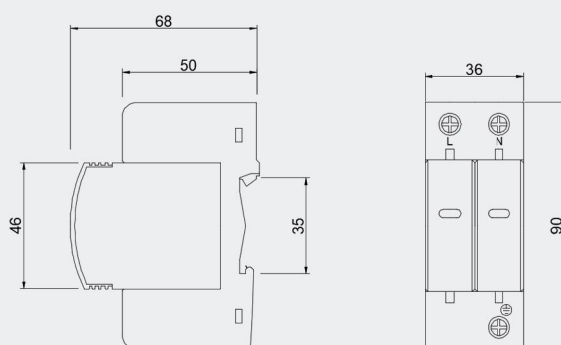


## Technical Parameters

Model	YL1-C40 4P
SPD according to EN 61643-11/IEC 61643-11	Type 2 / Class II
Nominal voltage (a.c.) (Un)	230/275/385/420V (50/60Hz)
Max. continuous operating voltage (a.c.) (Uc)	275/385/420V (50/60Hz)
Nominal discharge current (8/20μs) (In)	20kA
Max. discharge current (8/20μs) (Imax)	40kA
Voltage protection level (Up)	≤1.8kV
Response time (ta)	≤25ns
Max. Back-up fuse	≤125A gL/gG
Short-circuit current rating (Iscrr)	25kArms
Operating temperature range (Tu)	-40°C...+80°C
Operating state/fault indication	Green (good)/ Red (repalce)
For mounting on	35mm DIN rails acc. to EN 60715
Cross-sectional area(Min.)	4mm <sup>2</sup>
Cross-sectional area(Max.)	35mm <sup>2</sup>
Stripping Length/ Tightening torque	10mm/ 3Nm
Enclosure material	Thermoplastic, UL 94 V-0
Place of installation	Indoor installation
Degree of protection	IP 20
Demension (L*H*W)	90mm*72mm*68mm

### OBO Type SPD Type 2-Surge Protective Device (SPD)

- \* Two-pole varistor surge protective device (AC SPD)
- \* Visual indication and optional remote contact signaling(S).
- \* The Prewired complete unit consisting of a base part and plug-in protection modules.
- \* Installation at the boundary of zones LPZ1 and LPZ2.
- \* The Modular surge arrester for use in AC or DC PV system.
- \* DIN rail installation.

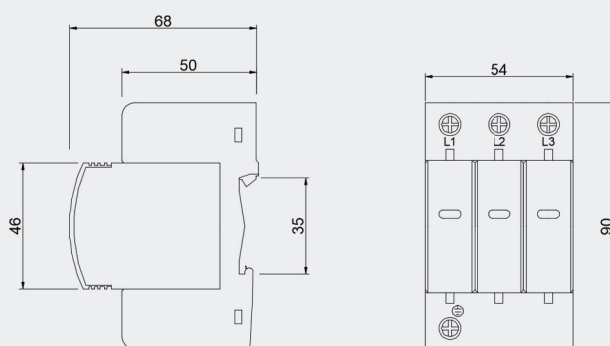


### Technical Parameters

Model	YL1-D20 2P
SPD according to EN 61643-11/IEC 61643-11	Type 2 / Class II
Nominal voltage (a.c.) (Un)	230/275/385/420V (50/60Hz)
Max. continuous operating voltage (a.c.) (Uc)	275/385/420V (50/60Hz)
Nominal discharge current (8/20μs) (In)	10kA
Max. discharge current (8/20μs) (Imax)	20kA
Voltage protection level (Up)	≤1.5kV
Response time (ta)	≤25ns
Max. Back-up fuse	≤125A gL/gG
Short-circuit current rating (Iscrr)	25kArms
Operating temperature range (Tu)	-40°C...+80°C
Operating state/fault indication	Green (good)/ Red (repalce)
For mounting on	35mm DIN rails acc. to EN 60715
Cross-sectional area (Min.)	4mm <sup>2</sup>
Cross-sectional area (Max.)	35mm <sup>2</sup>
Stripping Length/ Tightening torque	10mm/ 3Nm
Enclosure material	Thermoplastic, UL 94 V-0
Place of installation	Indoor installation
Degree of protection	IP 20
Demension (L*H*W)	90mm*36mm*68mm

### OBO Type SPD Type 2-Surge Protective Device (SPD)

- \* Three-pole varistor surge protective device (AC SPD)
- \* Visual indication and optional remote contact signaling(S).
- \* The Prewired complete unit consisting of a base part and plug-in protection modules.
- \* Installation at the boundary of zones LPZ1 and LPZ2.
- \* The Modular surge arrester for use in AC or DC PV system.
- \* DIN rail installation.

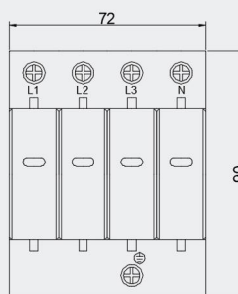
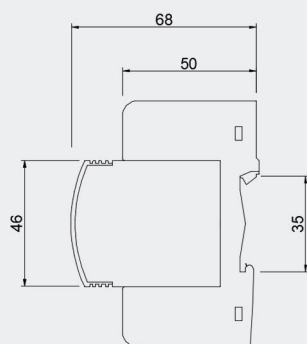


### Technical Parameters

Model	YL1-D20 3P
SPD according to EN 61643-11/IEC 61643-11	Type 2 / Class II
Nominal voltage (a.c.) (Un)	230/275/385/420V (50/60Hz)
Max. continuous operating voltage (a.c.) (Uc)	275/385/420V (50/60Hz)
Nominal discharge current (8/20μs) (In)	10kA
Max. discharge current (8/20μs) (Imax)	20kA
Voltage protection level (Up)	≤1.5kV
Response time (ta)	≤25ns
Max. Back-up fuse	≤125A gL/gG
Short-circuit current rating (Iscrr)	25kArms
Operating temperature range (Tu)	-40°C...+80°C
Operating state/fault indication	Green (good)/ Red (repalce)
For mounting on	35mm DIN rails acc. to EN 60715
Cross-sectional area(Min.)	4mm <sup>2</sup>
Cross-sectional area(Max.)	35mm <sup>2</sup>
Stripping Length/ Tightening torque	10mm/ 3Nm
Enclosure material	Thermoplastic, UL 94 V-0
Place of installation	Indoor installation
Degree of protection	IP 20
Demension (L*H*W)	90mm*54mm*68mm

### OBO Type SPD Type 2-Surge Protective Device (SPD)

- \* Four-pole varistor surge protective device (AC SPD)
- \* Visual indication and optional remote contact signaling(S).
- \* The Prewired complete unit consisting of a base part and plug-in protection modules.
- \* Installation at the boundary of zones LPZ1 and LPZ2.
- \* The Modular surge arrester for use in AC or DC PV system.
- \* DIN rail installation.



### Technical Parameters

Model	YL1-D20 4P
SPD according to EN 61643-11/IEC 61643-11	Type 2 / Class II
Nominal voltage (a.c.) (Un)	230/275/385/420V (50/60Hz)
Max. continuous operating voltage (a.c.) (Uc)	275/385/420V (50/60Hz)
Nominal discharge current (8/20μs) (In)	10kA
Max. discharge current (8/20μs) (Imax)	20kA
Voltage protection level (Up)	≤1.5kV
Response time (ta)	≤25ns
Max. Back-up fuse	≤125A gL/gG
Short-circuit current rating (Iscrr)	25kArms
Operating temperature range (Tu)	-40°C...+80°C
Operating state/fault indication	Green (good)/ Red (repalce)
For mounting on	35mm DIN rails acc. to EN 60715
Cross-sectional area(Min.)	4mm <sup>2</sup>
Cross-sectional area(Max.)	35mm <sup>2</sup>
Stripping Length/ Tightening torque	10mm/ 3Nm
Enclosure material	Thermoplastic, UL 94 V-0
Place of installation	Indoor installation
Degree of protection	IP 20
Demension (L*H*W)	90mm*72mm*68mm

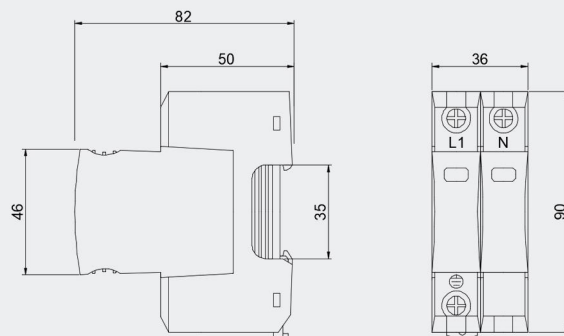




## Combined SPD Type 1+ Type 2

### Lightning current Arrester and Surge Arrester

- \* Two-pole varistor surge protective device (AC SPD)
- \* Combined SPD Type 1&2 with MOV and CDGG technology for use in different power system.
- \* Visual indication and optional remote contact signaling(S), capable of protecting Terminal equipment.
- \* Non-follow current.
- \* The Prewired complete unit consisting of a base part and replaceable plug-in protection modules.
- \* Installation at the boundaries from zone LPZ 0A to LPZ 2.
- \* Installation at the boundary of zones LPZ1 and LPZ2
- \* Use for the direct lightning protection in Power system, can usage in Transformer low-voltage side.
- \* DIN rail installation.



## Technical Parameters

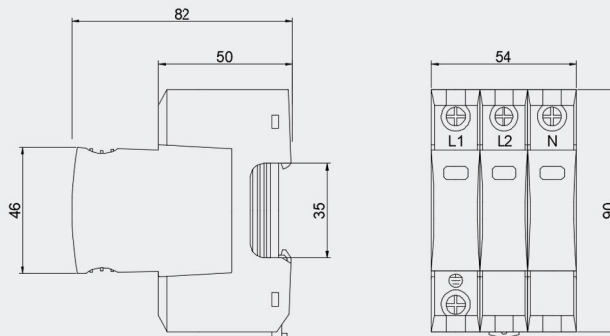
Model	YL2-C50-12.5M 2P
SPD according to EN 61643-11/IEC 61643-11	Type 1+2/ Class I + II
Max. continuous operating voltage (a.c.) (Uc)	385V (50/60Hz)
Temporary overvoltage (TOV)	385V/5s-withstand
Lightning impulse current (10/350µs) (Iimp)	12.5kA
Nominal discharge current (8/20µs) (In)	20kA
Max. discharge current (8/20µs) (Imax)	50kA
Voltage protection level (Up)	≤2.2kV
Response time (ta)	≤25ns
Max. Back-up fuse	≤160A gL/gG
Short-circuit current rating (Iscrr)	25kArms
Operating temperature range (Tu)	-40°C...+80°C
Operating state/fault indication	Green (good)/ Red (repalce)
For mounting on	35mm DIN rails acc. to EN 60715
Cross-sectional area(Min.)	4mm <sup>2</sup>
Cross-sectional area(Max.)	35mm <sup>2</sup>
Stripping Length/ Tightening torque	10mm/ 3Nm
Enclosure material	Thermoplastic, UL 94 V-0
Place of installation	Indoor installation
Degree of protection	IP 20
Demension (L*H*W)	90mm*36mm*82mm



## Combined SPD Type 1+ Type 2

### Lightning current Arrester and Surge Arrester

- \* Three-pole varistor surge protective device (AC SPD)
- \* Combined SPD Type 1&2 with MOV and CDGG technology for use in different power system.
- \* Visual indication and optional remote contact signaling(S), capable of protecting Terminal equipment.
- \* Non-follow current.
- \* The Prewired complete unit consisting of a base part and replaceable plug-in protection modules.
- \* Installation at the boundaries from zone LPZ 0A to LPZ 2.
- \* Installation at the boundary of zones LPZ1 and LPZ2
- \* Use for the direct lightning protection in Power system, can usage in Transformer low-voltage side.
- \* DIN rail installation.



## Technical Parameters

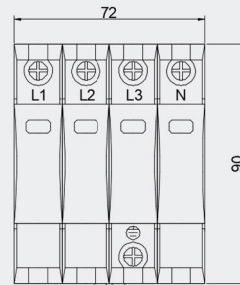
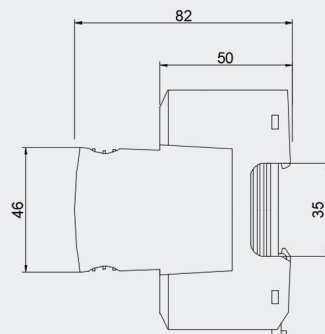
Model	YL2-C50-12.5M 3P
SPD according to EN 61643-11/IEC 61643-11	Type 1+2/ Class I + II
Max. continuous operating voltage (a.c.) (Uc)	385V (50/60Hz)
Temporary overvoltage (TOV)	385V/5s-withstand
Lightning impulse current (10/350μs) (Iimp)	12.5kA
Nominal discharge current (8/20μs) (In)	20kA
Max. discharge current (8/20μs) (Imax)	50kA
Voltage protection level (Up)	≤2.2kV
Response time (ta)	≤25ns
Max. Back-up fuse	≤160A gL/gG
Short-circuit current rating (Iscrr)	25kArms
Operating temperature range (Tu)	-40°C...+80°C
Operating state/fault indication	Green (good)/ Red (repalce)
For mounting on	35mm DIN rails acc. to EN 60715
Cross-sectional area(Min.)	4mm <sup>2</sup>
Cross-sectional area(Max.)	35mm <sup>2</sup>
Stripping Length/ Tightening torque	10mm/ 3Nm
Enclosure material	Thermoplastic, UL 94 V-0
Place of installation	Indoor installation
Degree of protection	IP 20
Demension (L*H*W)	90mm*54mm*82mm



## Combined SPD Type 1+ Type 2

### Lightning current Arrester and Surge Arrester

- \* Four-pole varistor surge protective device (AC SPD)
- \* Combined SPD Type 1&2 with MOV and CDGG technology for use in different power system.
- \* Visual indication and optional remote contact signaling(S), capable of protecting Terminal equipment.
- \* Non-follow current.
- \* The Prewired complete unit consisting of a base part and replaceable plug-in protection modules.
- \* Installation at the boundaries from zone LPZ 0A to LPZ 2.
- \* Installation at the boundary of zones LPZ1 and LPZ2
- \* Use for the direct lightning protection in Power system, can usage in Transformer low-voltage side.
- \* DIN rail installation.

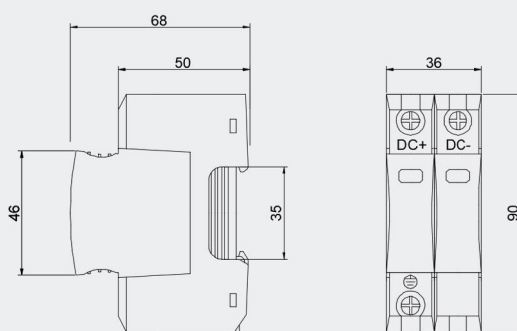


## Technical Parameters

Model	YL2-C50-12.5M 4P
SPD according to EN 61643-11/IEC 61643-11	Type 1+2/ Class I + II
Max. continuous operating voltage (a.c.) (Uc)	385V (50/60Hz)
Temporary overvoltage (TOV)	385V/5s-withstand
Lightning impulse current (10/350μs) (Iimp)	12.5kA
Nominal discharge current (8/20μs) (In)	20kA
Max. discharge current (8/20μs) (Imax)	50kA
Voltage protection level (Up)	≤2.2kV
Response time (ta)	≤25ns
Max. Back-up fuse	≤160A gL/gG
Short-circuit current rating (Iscrr)	25kArms
Operating temperature range (Tu)	-40°C...+80°C
Operating state/fault indication	Green (good)/ Red (repalce)
For mounting on	35mm DIN rails acc. to EN 60715
Cross-sectional area(Min.)	4mm <sup>2</sup>
Cross-sectional area(Max.)	35mm <sup>2</sup>
Stripping Length/ Tightening torque	10mm/ 3Nm
Enclosure material	Thermoplastic, UL 94 V-0
Place of installation	Indoor installation
Degree of protection	IP 20
Demension (L*H*W)	90mm*72mm*82mm

### Type 2-Surge protective Device PV DC SPD

- \* Two-module varistor photovoltaic surge protective device (PV DC SPD)
- \* Visual indication and optional remote contact signaling(S) for use in the DC side of PV systems.
- \* The Prewired complete unit consisting of a base part and replaceable plug-in protection modules.
- \* In case of insulation faults in the generator circuit, a reliable and tested fault-resistant Y MOV circuit prevents damage to the surge protective devices.
- \* DIN rail installation.



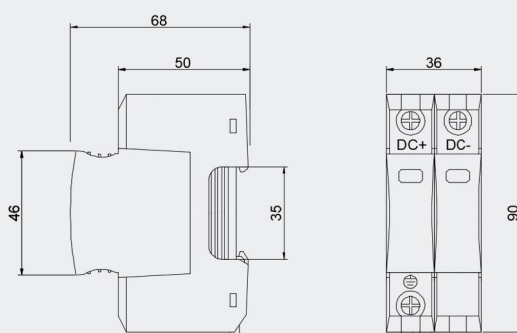
### Technical Parameters

Model	YL2-C40-PV 2P
SPD according to EN 61643-11/IEC 61643-11	Type 2/ Class II
Max. continuous operating voltage (d.c.) (Uc)	12Vdc (costomized)
Nominal discharge current (8/20μs) (In)	20kA
Max. discharge current (8/20μs) (Imax)	40kA
Voltage protection level (Up)	≤2.0kV
Response time (ta)	≤25ns
Max. Back-up fuse	* Not required
Short-circuit current rating (Iscrr)	1000A
Operating temperature range (Tu)	-40°C...+80°C
Operating state/fault indication	Green (good)/ Red (repalce)
For mounting on	35mm DIN rails acc. to EN 60715
Cross-sectional area(Min.)	4mm <sup>2</sup>
Cross-sectional area(Max.)	35mm <sup>2</sup>
Stripping Length/ Tightening torque	10mm/ 3Nm
Enclosure material	Thermoplastic, UL 94 V-0
Place of installation	Indoor installation
Degree of protection	IP 20
Demension (L*H*W)	90mm*36mm*68mm



### Type 2-Surge protective Device PV DC SPD

- \* Two-module varistor photovoltaic surge protective device (PV DC SPD)
- \* Visual indication and optional remote contact signaling(S) for use in the DC side of PV systems.
- \* The Prewired complete unit consisting of a base part and replaceable plug-in protection modules.
- \* In case of insulation faults in the generator circuit, a reliable and tested fault-resistant Y MOV circuit prevents damage to the surge protective devices.
- \* DIN rail installation.

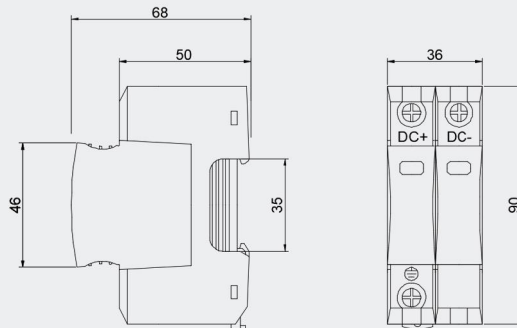


### Technical Parameters

Model	YL2-C40-PV 2P
SPD according to EN 61643-11/IEC 61643-11	Type 2/ Class II
Max. continuous operating voltage (d.c.) (Uc)	24Vdc (costomized)
Nominal discharge current (8/20μs) (In)	20kA
Max. discharge current (8/20μs) (Imax)	40kA
Voltage protection level (Up)	≤2.0kV
Response time (ta)	≤25ns
Max. Back-up fuse	* Not required
Short-circuit current rating (Iscrr)	1000A
Operating temperature range (Tu)	-40°C...+80°C
Operating state/fault indication	Green (good)/ Red (repalce)
For mounting on	35mm DIN rails acc. to EN 60715
Cross-sectional area(Min.)	4mm <sup>2</sup>
Cross-sectional area(Max.)	35mm <sup>2</sup>
Stripping Length/ Tightening torque	10mm/ 3Nm
Enclosure material	Thermoplastic, UL 94 V-0
Place of installation	Indoor installation
Degree of protection	IP 20
Demension (L*H*W)	90mm*36mm*68mm

### Type 2-Surge protective Device PV DC SPD

- \* Two-module varistor photovoltaic surge protective device (PV DC SPD)
- \* Visual indication and optional remote contact signaling(S) for use in the DC side of PV systems.
- \* The Prewired complete unit consisting of a base part and replaceable plug-in protection modules.
- \* In case of insulation faults in the generator circuit, a reliable and tested fault-resistant Y MOV circuit prevents damage to the surge protective devices.
- \* DIN rail installation.

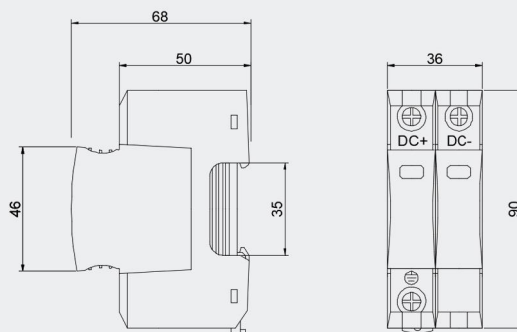


### Technical Parameters

Model	YL2-C40-PV 2P
SPD according to EN 61643-11/IEC 61643-11	Type 2/ Class II
Max. continuous operating voltage (d.c.) (Uc)	500Vdc
Nominal discharge current (8/20μs) (In)	20kA
Max. discharge current (8/20μs) (Imax)	40kA
Voltage protection level (Up)	≤2.5kV
Response time (ta)	≤25ns
Max. Back-up fuse	* Not required
Short-circuit current rating (Iscrr)	1000A
Operating temperature range (Tu)	-40°C...+80°C
Operating state/fault indication	Green (good)/ Red (repalce)
For mounting on	35mm DIN rails acc. to EN 60715
Cross-sectional area(Min.)	4mm <sup>2</sup>
Cross-sectional area(Max.)	35mm <sup>2</sup>
Stripping Length/ Tightening torque	10mm/ 3Nm
Enclosure material	Thermoplastic, UL 94 V-0
Place of installation	Indoor installation
Degree of protection	IP 20
Demension (L*H*W)	90mm*36mm*68mm

### Type 2-Surge protective Device PV DC SPD

- \* Two-module varistor photovoltaic surge protective device (PV DC SPD)
- \* Visual indication and optional remote contact signaling(S) for use in the DC side of PV systems.
- \* The Prewired complete unit consisting of a base part and replaceable plug-in protection modules.
- \* In case of insulation faults in the generator circuit, a reliable and tested fault-resistant Y MOV circuit prevents damage to the surge protective devices.
- \* DIN rail installation.

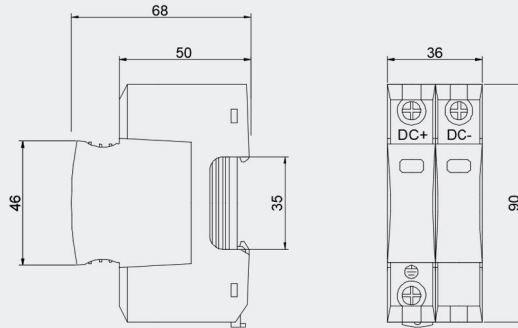


### Technical Parameters

Model	YL2-C40-PV 2P
SPD according to EN 61643-11/IEC 61643-11	Type 2/ Class II
Max. continuous operating voltage (d.c.) (Uc)	600Vdc
Nominal discharge current (8/20μs) (In)	20kA
Max. discharge current (8/20μs) (Imax)	40kA
Voltage protection level (Up)	≤2.5kV
Response time (ta)	≤25ns
Max. Back-up fuse	* Not required
Short-circuit current rating (Iscrr)	1000A
Operating temperature range (Tu)	-40°C...+80°C
Operating state/fault indication	Green (good)/ Red (repalce)
For mounting on	35mm DIN rails acc. to EN 60715
Cross-sectional area(Min.)	4mm <sup>2</sup>
Cross-sectional area(Max.)	35mm <sup>2</sup>
Stripping Length/ Tightening torque	10mm/ 3Nm
Enclosure material	Thermoplastic, UL 94 V-0
Place of installation	Indoor installation
Degree of protection	IP 20
Demension (L*H*W)	90mm*36mm*68mm

## Type 2-Surge protective Device PV DC SPD

- \* Two-module varistor photovoltaic surge protective device (PV DC SPD)
- \* Visual indication and optional remote contact signaling(S) for use in the DC side of PV systems.
- \* The Prewired complete unit consisting of a base part and replaceable plug-in protection modules.
- \* In case of insulation faults in the generator circuit, a reliable and tested fault-resistant Y MOV circuit prevents damage to the surge protective devices.
- \* DIN rail installation.



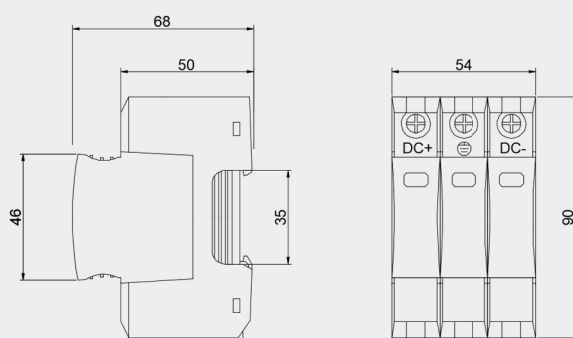
## Technical Parameters

Model	YL2-C40-PV 2P
SPD according to EN 61643-11/IEC 61643-11	Type 2/ Class II
Max. continuous operating voltage (d.c.) (Uc)	1000Vdc
Nominal discharge current (8/20μs) (In)	20kA
Max. discharge current (8/20μs) (Imax)	40kA
Voltage protection level (Up)	≤3.6kV
Response time (ta)	≤25ns
Max. Back-up fuse	* Not required
Short-circuit current rating (Iscrr)	1000A
Operating temperature range (Tu)	-40°C...+80°C
Operating state/fault indication	Green (good)/ Red (repalce)
For mounting on	35mm DIN rails acc. to EN 60715
Cross-sectional area(Min.)	4mm <sup>2</sup>
Cross-sectional area(Max.)	35mm <sup>2</sup>
Stripping Length/ Tightening torque	10mm/ 3Nm
Enclosure material	Thermoplastic, UL 94 V-0
Place of installation	Indoor installation
Degree of protection	IP 20
Demension (L*H*W)	90mm*36mm*68mm



### Type 2-Surge protective Device PV DC SPD

- \* Three-module varistor photovoltaic surge protective device (PV DC SPD)
- \* Visual indication and optional remote contact signaling(S) for use in the DC side of PV systems.
- \* The Prewired complete unit consisting of a base part and replaceable plug-in protection modules.
- \* In case of insulation faults in the generator circuit, a reliable and tested fault-resistant Y MOV circuit prevents damage to the surge protective devices.
- \* DIN rail installation.

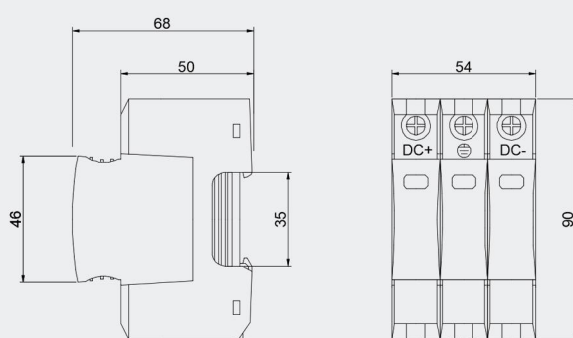


### Technical Parameters

Model	YL2-C40-PV 3P
SPD according to EN 61643-11/IEC 61643-11	Type 2/ Class II
Max. continuous operating voltage (d.c.) (Uc)	1000Vdc
Nominal discharge current (8/20μs) (In)	20kA
Max. discharge current (8/20μs) (Imax)	40kA
Voltage protection level (Up)	≤3.6kV
Response time (ta)	≤25ns
Max. Back-up fuse	* Not required
Short-circuit current rating (Iscrr)	1000A
Operating temperature range (Tu)	-40°C...+80°C
Operating state/fault indication	Green (good)/ Red (repalce)
For mounting on	35mm DIN rails acc. to EN 60715
Cross-sectional area(Min.)	4mm <sup>2</sup>
Cross-sectional area(Max.)	35mm <sup>2</sup>
Stripping Length/ Tightening torque	10mm/ 3Nm
Enclosure material	Thermoplastic, UL 94 V-0
Place of installation	Indoor installation
Degree of protection	IP 20
Demension (L*H*W)	90mm*54mm*68mm

### Type 2-Surge protective Device PV DC SPD

- \* Three-module varistor photovoltaic surge protective device (PV DC SPD)
- \* Visual indication and optional remote contact signaling(S) for use in the DC side of PV systems.
- \* The Prewired complete unit consisting of a base part and replaceable plug-in protection modules.
- \* In case of insulation faults in the generator circuit, a reliable and tested fault-resistant Y MOV circuit prevents damage to the surge protective devices.
- \* DIN rail installation.



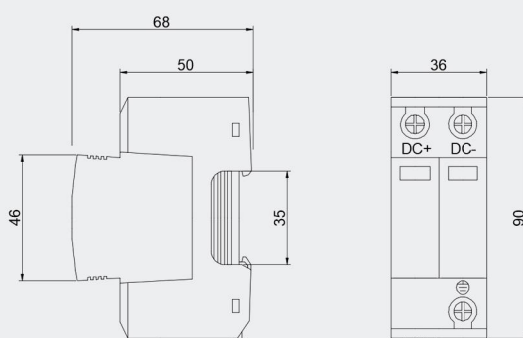
### Technical Parameters

Model	YL2-C40-PV 3P
SPD according to EN 61643-11/IEC 61643-11	Type 2/ Class II
Max. continuous operating voltage (d.c.) (Uc)	1500Vdc
Nominal discharge current (8/20μs) (In)	20kA
Max. discharge current (8/20μs) (Imax)	40kA
Voltage protection level (Up)	≤5.0kV
Response time (ta)	≤25ns
Max. Back-up fuse	* Not required
Short-circuit current rating (Iscrr)	1000A
Operating temperature range (Tu)	-40°C...+80°C
Operating state/fault indication	Green (good)/ Red (repalce)
For mounting on	35mm DIN rails acc. to EN 60715
Cross-sectional area(Min.)	4mm <sup>2</sup>
Cross-sectional area(Max.)	35mm <sup>2</sup>
Stripping Length/ Tightening torque	10mm/ 3Nm
Enclosure material	Thermoplastic, UL 94 V-0
Place of installation	Indoor installation
Degree of protection	IP 20
Demension (L*H*W)	90mm*54mm*68mm



### Type 2-Surge protective Device PV DC SPD

- \* Two-module varistor photovoltaic surge protective device (PV DC SPD)
- \* Visual indication and optional remote contact signaling(S) for use in the DC side of PV systems.
- \* The Prewired complete unit consisting of a base part and plug-in protection modules.
- \* In case of insulation faults in the generator circuit, a reliable and tested fault-resistant Y MOV circuit prevents damage to the surge protective devices.
- \* DIN rail installation.



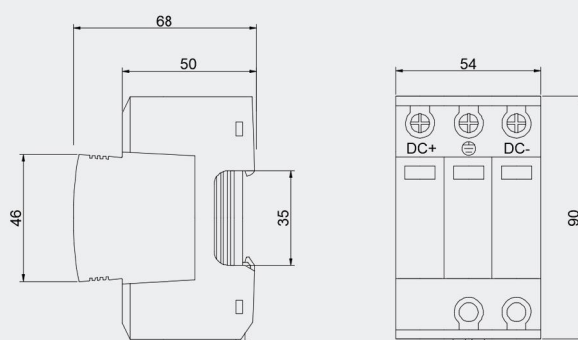
### Technical Parameters

Model	YL5-C40-PV 2P
SPD according to EN 61643-11/IEC 61643-11	Type 2/ Class II
Nominal voltage (d.c.) (Un)	1000Vdc
Max. continuous operating voltage (d.c.) (Uc)	1060Vdc
Nominal discharge current (8/20μs) (In)	20kA
Max. discharge current (8/20μs) (Imax)	40kA
Voltage protection level (Up)	≤3.6kV
Response time (ta)	≤25ns
Max. Back-up fuse	* Not required
Short-circuit current rating (Iscsr)	1000A
Operating temperature range (Tu)	-40°C...+80°C
Operating state/fault indication	Green (good)/ Red (repalce)
For mounting on	35mm DIN rails acc. to EN 60715
Cross-sectional area(Min.)	4mm <sup>2</sup>
Cross-sectional area(Max.)	35mm <sup>2</sup>
Stripping Length/ Tightening torque	10mm/ 3Nm
Enclosure material	Thermoplastic, UL 94 V-0
Place of installation	Indoor installation
Degree of protection	IP 20
Demension (L*H*W)	90mm*36mm*68mm



### Type 2-Surge protective Device PV DC SPD

- \* Three-module varistor photovoltaic surge protective device (PV DC SPD)
- \* Visual indication and optional remote contact signaling(S) for use in the DC side of PV systems.
- \* The Prewired complete unit consisting of a base part and plug-in protection modules.
- \* In case of insulation faults in the generator circuit, a reliable and tested fault-resistant Y MOV circuit prevents damage to the surge protective devices.
- \* DIN rail installation.



### Technical Parameters

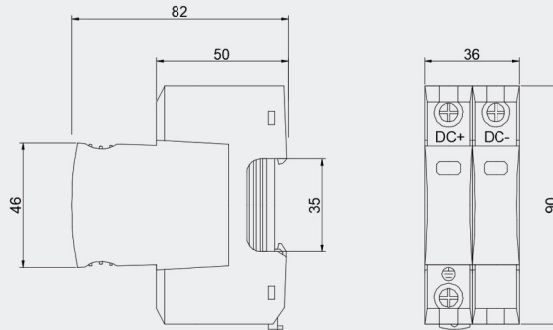
Model	YL5-C40-PV 3P
SPD according to EN 61643-11/IEC 61643-11	Type 2/ Class II
Nominal voltage (d.c.) (Un)	1000Vdc
Max. continuous operating voltage (d.c.) (Uc)	1060Vdc
Nominal discharge current (8/20μs) (In)	20kA
Max. discharge current (8/20μs) (Imax)	40kA
Voltage protection level (Up)	≤3.6kV
Response time (ta)	≤25ns
Max. Back-up fuse	* Not required
Short-circuit current rating (Iscrr)	1000A
Operating temperature range (Tu)	-40°C...+80°C
Operating state/fault indication	Green (good)/ Red (repalce)
For mounting on	35mm DIN rails acc. to EN 60715
Cross-sectional area(Min.)	4mm <sup>2</sup>
Cross-sectional area(Max.)	35mm <sup>2</sup>
Stripping Length/ Tightening torque	10mm/ 3Nm
Enclosure material	Thermoplastic, UL 94 V-0
Place of installation	Indoor installation
Degree of protection	IP 20
Demension (L*H*W)	90mm*54mm*68mm



## Combined SPD Type 1+ Type 2

### Lightning current Arrester and Surge Arrester

- \* Two-module varistor photovoltaic surge protective device (PV DC SPD)
- \* Visual indication and optional remote contact signaling(S) for use in the DC side of PV systems.
- \* The Prewired complete unit consisting of a base part and replaceable plug-in protection modules.
- \* In case of insulation faults in the generator circuit, a reliable and tested fault-resistant Y MOV circuit prevents damage to the surge protective devices.
- \* DIN rail installation.



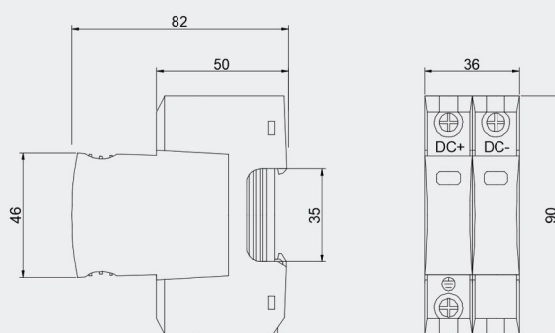
## Technical Parameters

Model	YL5-C50-PV 2P
SPD according to EN 61643-11/IEC 61643-11	Type 1+2/ Class I + II
Max. continuous operating voltage (d.c.) (Uc)	600Vdc
Lightning impulse current (10/350µs) (Iimp)	12.5kA
Nominal discharge current (8/20µs) (In)	20kA
Max. discharge current (8/20µs) (Imax)	50kA
Voltage protection level (Up)	≤2.6kV
Response time (ta)	≤25ns
Max. Back-up fuse	* Not required
Short-circuit current rating (Iscsr)	1000A
Operating temperature range (Tu)	-40°C...+80°C
Operating state/fault indication	Green (good)/ Red (repalce)
For mounting on	35mm DIN rails acc. to EN 60715
Cross-sectional area(Min.)	4mm <sup>2</sup>
Cross-sectional area(Max.)	35mm <sup>2</sup>
Stripping Length/ Tightening torque	10mm/ 3Nm
Enclosure material	Thermoplastic, UL 94 V-0
Place of installation	Indoor installation
Degree of protection	IP 20
Demension (L*H*W)	90mm*36mm*82mm

### Combined SPD Type 1+ Type 2

#### Lightning current Arrester and Surge Arrester

- \* Two-module varistor photovoltaic surge protective device (PV DC SPD)
- \* Visual indication and optional remote contact signaling(S) for use in the DC side of PV systems.
- \* The Prewired complete unit consisting of a base part and replaceable plug-in protection modules.
- \* In case of insulation faults in the generator circuit, a reliable and tested fault-resistant Y MOV circuit prevents damage to the surge protective devices.
- \* DIN rail installation.



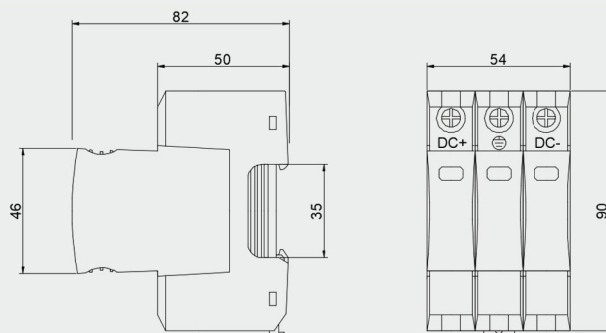
## Technical Parameters

Model	YL5-C50-PV 2P
SPD according to EN 61643-11/IEC 61643-11	Type 1+2/ Class I + II
Max. continuous operating voltage (d.c.) (Uc)	1000Vdc
Lightning impulse current (10/350μs) (Iimp)	12.5kA
Nominal discharge current (8/20μs) (In)	20kA
Max. discharge current (8/20μs) (Imax)	50kA
Voltage protection level (Up)	≤3.6kV
Response time (ta)	≤25ns
Max. Back-up fuse	* Not required
Short-circuit current rating (Iscrr)	1000A
Operating temperature range (Tu)	-40°C...+80°C
Operating state/fault indication	Green (good)/ Red (repalce)
For mounting on	35mm DIN rails acc. to EN 60715
Cross-sectional area(Min.)	4mm <sup>2</sup>
Cross-sectional area(Max.)	35mm <sup>2</sup>
Stripping Length/ Tightening torque	10mm/ 3Nm
Enclosure material	Thermoplastic, UL 94 V-0
Place of installation	Indoor installation
Degree of protection	IP 20
Demension (L*H*W)	90mm*36mm*82mm

### Combined SPD Type 1+ Type 2

#### Lightning current Arrester and Surge Arrester

- \* Three-module varistor photovoltaic surge protective device (PV DC SPD)
- \* Visual indication and optional remote contact signaling(S) for use in the DC side of PV systems.
- \* The Prewired complete unit consisting of a base part and replaceable plug-in protection modules.
- \* In case of insulation faults in the generator circuit, a reliable and tested fault-resistant Y MOV circuit prevents damage to the surge protective devices.
- \* DIN rail installation.

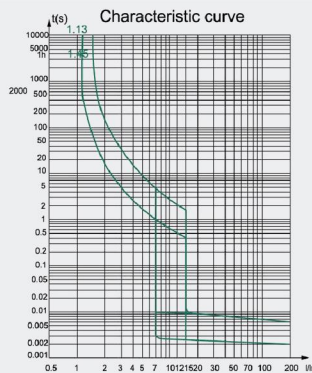


### Technical Parameters

Model	YL5-C50-PV 3P
SPD according to EN 61643-11/IEC 61643-11	Type 1+2/ Class I + II
Max. continuous operating voltage (d.c.) (Uc)	1000Vdc
Lightning impulse current (10/350µs) (Iimp)	12.5kA
Nominal discharge current (8/20µs) (In)	20kA
Max. discharge current (8/20µs) (Imax)	50kA
Voltage protection level (Up)	≤3.6kV
Response time (ta)	≤25ns
Max. Back-up fuse	* Not required
Short-circuit current rating (Iscsr)	1000A
Operating temperature range (Tu)	-40°C...+80°C
Operating state/fault indication	Green (good)/ Red (repalce)
For mounting on	35mm DIN rails acc. to EN 60715
Cross-sectional area(Min.)	4mm <sup>2</sup>
Cross-sectional area(Max.)	35mm <sup>2</sup>
Stripping Length/ Tightening torque	10mm/ 3Nm
Enclosure material	Thermoplastic, UL 94 V-0
Place of installation	Indoor installation
Degree of protection	IP 20
Demension (L*H*W)	90mm*54mm*82mm

### Solar DC Mini Circuit Breaker (DC MCB)

- \* Provide overcurrent protection within appliances or electrical equipment.
- \* Designed for direct current (DC) control circuit applications.
- \* According to IEC/EN60947
- \* DIN rail installation.



### Technical Parameters

Model	YL7 series				
Rated Current	3A-63A				
Pole	1P	2P	3P	4P	2P (customized)
Rated operating voltage	250 Vdc	550 Vdc	750 Vdc	1000 Vdc	800Vdc
Rated insulation voltage	1200Vdc				
Rated impact voltage (U <sub>imp</sub> )	4kV				
Ultimate breaking capacity (I <sub>cu</sub> )	6kA				
Run breaking capacity (I <sub>cs</sub> )	75%I <sub>cu</sub>				
Curve Type	C				
Trip Type	Thermal-magnetic				
Ambient temperature	-35°C~+70°C				
Altitude	≤2000m				
Relative humidity	≤95%				
Protection degree	IP20				
Pollution level	3				
Installation Environment	No obvious shock and vibration				
Demension (L*H*W)	80mm *18mm *71mm	80mm *36mm *71mm	80mm *54mm *71mm	80mm *72mm *71mm	80mm *36mm *71mm

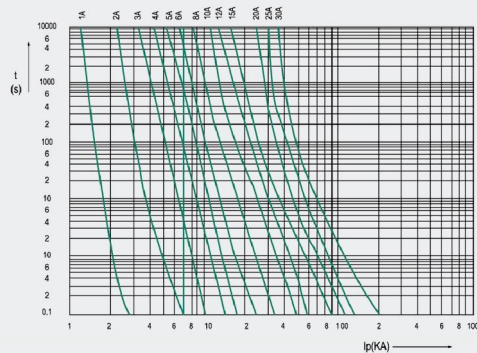


### Solar DC 1000V Fuse with Fuse Holder

- \* Specifically designed for protecting photovoltaic strings.
- \* Capable of interrupting low overcurrents associated with faulted photovoltaic string arrays (reverse current, multi-array fault).
- \* According to IEC60269-1
- \* DIN rail installation.



Characteristic curve



### Technical Parameters

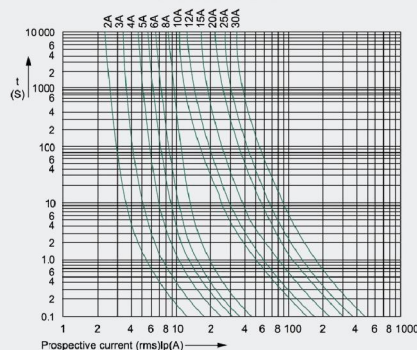
Model	YL-PV series
Rated voltage (Ue)	1000Vdc
Rated current	1A -32A
Fuse size	10*38
Rated breaking capacity	20kA
The most high power consumption	3.5W
Operating class	g PV for Solar protection
Connection	2.5mm <sup>2</sup> -10mm <sup>2</sup>
Working Temperature	-30°C~+70°C
Resistance and damp hot	Class 2
Altitude	≤2000m
Relative humidity	≤95%
Protection degree	IP20
Pollution	3
Installation Environment	No obvious shock and vibration
Demension (L*H*W)	78mm *60mm *18mm

### Solar DC 1500V Fuse with Fuse Holder

- \* Specifically designed for protecting and isolating photovoltaic strings.
- \* Capable of interrupting low overcurrents associated with faulted PV systems (reverse current, multi-array fault).
- \* Available in four mounting styles for application flexibility.
- \* According to IEC60269-6
- \* DIN rail installation.



Characteristic curve

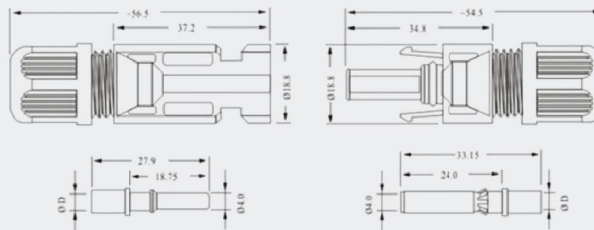


### Technical Parameters

Model	YL-PV series	YL-PV series
Rated voltage (U <sub>e</sub> )	1500Vdc	1500Vdc
Rated current	1A -35A	25A -50A
Fuse size	10*85	14*85
Rated breaking capacity	20kA	20kA
Operating class	g PV for Solar protection	g PV for Solar protection
Connection	2.5mm <sup>2</sup> -10mm <sup>2</sup>	2.5mm <sup>2</sup> -10mm <sup>2</sup>
Working temperature	-30°C~+70°C	-30°C~+70°C
Resistance and damp hot	Class 2	Class 2
Altitude	≤2000m	≤2000m
Relative humidity	≤95%	≤95%
Protection degree	IP20	IP20
Pollution	3	3
Installation Environment	No obvious shock and vibration	No obvious shock and vibration
Demension (L*H*W)	128 mm *68mm *20mm	128 mm *68mm *20mm

### Solar Connector DC 1000V 1500V

- \* Simple on-site processing.
- \* Accommodates PV cable with different insulation diameters.
- \* Mating safety provided by keyed housings.
- \* Multiple plugging and unplugging cycles.
- \* High current carrying capacity

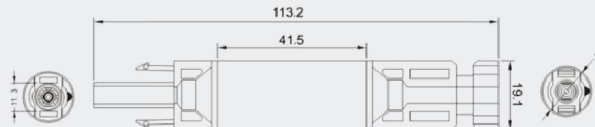


### Technical Parameters

Model	YLPVCC
Rated Voltage	1000V DC/1500V DC
Test Voltage	6000V(50Hz, 1min)
Overvoltage Type/Pollution Degree	CAT III /2
Contact Resistance Of Plug Connector	<1mΩ
Contact Material	Copper, Tin-plated
Insulation Material	PPO
Degree Of Protection	IP2X/IP67
Flame Class	UL94-VO
Safety Class	II
Suitable Cable	OD 4.5-8.5(2.5mm <sup>2</sup> -6.0mm <sup>2</sup> )
Insertion Force/Withdrawal Force	≤ 50N/ ≥ 50N
Connecting System	Crimp connection
Temperature Range	-40°C ~ +125°C

**MC4.0 diode connector, anti connector,  
system connector**

- \* Simple on-site processing.
- \* Acomodates PV cable with different insulation diameters.
- \* Mating safety provided bykeyed housings.
- \* Multiple plugging and unplugging cycles.
- \* High current carrying capacity



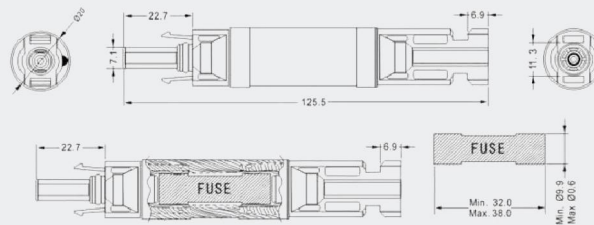
**Technical Parameters**

Model	YLPVFC
Rated Voltage	1000V DC
Test Voltage	6000V(50Hz, 1min)
Overvoltage Type/Pollution Degree	CAT III /2
Contact Resistance Of Plug Connector	<1mΩ
Contact Material	Copper, Tin-plated
Insulation Material	PPO
Degree Of Protection	IP2X/IP67
Flame Class	UL94-VO
Safety Class	II
Suitable Cable	OD 4.5-8.5(2.5mm <sup>2</sup> -6.0mm <sup>2</sup> )
Insertion Force/Withdrawal Force	≤ 50N/ ≥ 50N
Connecting System	Crimp connection
Temperature Range	-40°C ~ +125°C



### MC4.0 Photovoltaic with fuse connector

- \* Simple on-site processing.
- \* Accommodates PV cable with different insulation diameters.
- \* Mating safety provided by keyed housings.
- \* Multiple plugging and unplugging cycles.
- \* High current carrying capacity

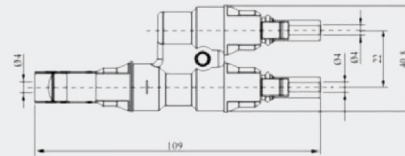
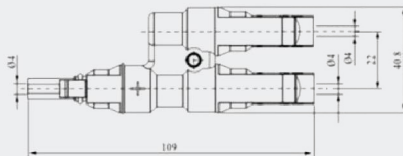


### Technical Parameters

Model	YLPVDC
Rated Voltage	1000V DC
Test Voltage	6000V(50Hz, 1min)
Overvoltage Type/Pollution Degree	CAT III /2
Contact Resistance Of Plug Connector	<1mΩ
Contact Material	Copper, Tin-plated
Insulation Material	PPO
Degree Of Protection	IP2X/IP67
Flame Class	UL94-VO
Safety Class	II
Suitable Cable	OD 4.5-8.5(2.5mm <sup>2</sup> -6.0mm <sup>2</sup> )
Insertion Force/Withdrawal Force	≤ 50N/ ≥ 50N
Connecting System	Crimp connection
Temperature Range	-40°C ~ +125°C

### T Type 3ways Solar Connector

- \* Simple on-site processing.
- \* Acomodates PV cable with different insulation diameters.
- \* Mating safety provided bykeyed housings.
- \* Multiple plugging and unplugging cycles.
- \* High current carrying capacity

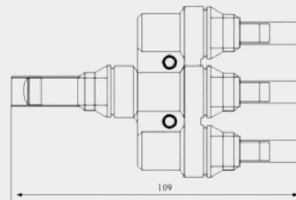
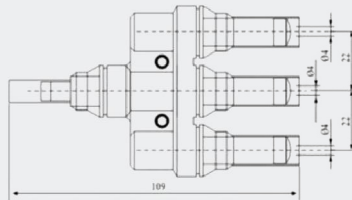


### Technical Parameters

Model	YLPVT3
Rated Voltage	1000V DC
Test Voltage	6000V(50Hz, 1min)
Overvoltage Type/Pollution Degree	CAT III /2
Contact Resistance Of Plug Connector	<1mΩ
Contact Material	Copper, Tin-plated
Insulation Material	PPO
Degree Of Protection	IP2X/IP67
Flame Class	UL94-VO
Safety Class	II
Suitable Cable	OD 4.5-8.5(2.5mm <sup>2</sup> -6.0mm <sup>2</sup> )
Insertion Force/Withdrawal Force	≤ 50N/ ≥ 50N
Connecting System	Crimp connection
Temperature Range	-40°C ~ +110°C

## T Type 4ways Solar Connector

- \* Simple on-site processing.
- \* Accommodates PV cable with different insulation diameters.
- \* Mating safety provided by keyed housings.
- \* Multiple plugging and unplugging cycles.
- \* High current carrying capacity

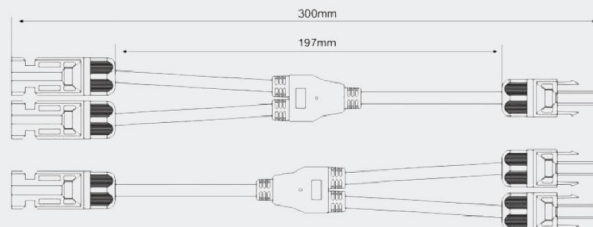


## Technical Parameters

Model	YLPVT4
Rated Voltage	1000V DC
Test Voltage	6000V(50Hz, 1min)
Overvoltage Type/Pollution Degree	CAT III /2
Contact Resistance Of Plug Connector	<1mΩ
Contact Material	Copper, Tin-plated
Insulation Material	PPO
Degree Of Protection	IP2X/IP67
Flame Class	UL94-VO
Safety Class	II
Suitable Cable	OD 4.5-8.5(2.5mm <sup>2</sup> -6.0mm <sup>2</sup> )
Insertion Force/Withdrawal Force	≤ 50N/ ≥ 50N
Connecting System	Crimp connection
Temperature Range	-40°C ~ +110°C

### Y Type 3ways Solar Connector

- \* Simple on-site processing.
- \* Acomodates PV cable with different insulation diameters.
- \* Mating safety provided bykeyed housings.
- \* Multiple plugging and unplugging cycles.
- \* High current carrying capacity

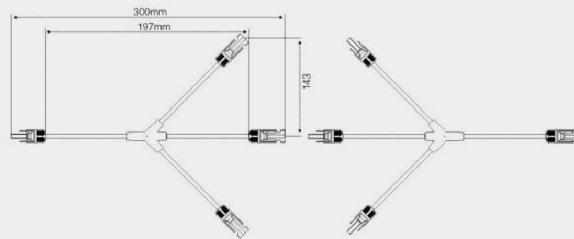


### Technical Parameters

Model	YLPVY3
Rated Voltage	1000V DC
Test Voltage	6000V(50Hz, 1min)
Overvoltage Type/Pollution Degree	CAT III /2
Contact Resistance Of Plug Connector	<1mΩ
Contact Material	Copper, Tin-plated
Insulation Material	PPO
Degree Of Protection	IP2X/IP67
Flame Class	UL94-VO
Safety Class	II
Suitable Cable	OD 4.5-8.5(2.5mm <sup>2</sup> -6.0mm <sup>2</sup> )
Insertion Force/Withdrawal Force	≤ 50N/ ≥ 50N
Connecting System	Crimp connection
Temperature Range	-40°C ~ +110°C

### Y Type 4ways Solar Connector

- \* Simple on-site processing.
- \* Acomodates PV cable with different insulation diameters.
- \* Mating safety provided bykeyed housings.
- \* Multiple plugging and unplugging cycles.
- \* High current carrying capacity



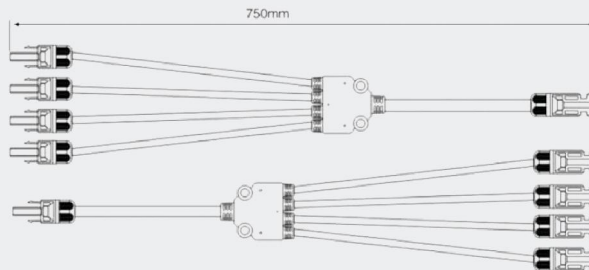
### Technical Parameters

Model	YLPVY4
Rated Voltage	1000V DC
Test Voltage	6000V(50Hz, 1min)
Overvoltage Type/Pollution Degree	CAT III /2
Contact Resistance Of Plug Connector	<1mΩ
Contact Material	Copper, Tin-plated
Insulation Material	PPO
Degree Of Protection	IP2X/IP67
Flame Class	UL94-VO
Safety Class	II
Suitable Cable	OD 4.5-8.5(2.5mm <sup>2</sup> -6.0mm <sup>2</sup> )
Insertion Force/Withdrawal Force	≤ 50N/ ≥ 50N
Connecting System	Crimp connection
Temperature Range	-40°C ~ +110°C



### Y Type 5ways Solar Connector

- \* Simple on-site processing.
- \* Acomodates PV cable with different insulation diameters.
- \* Mating safety provided bykeyed housings.
- \* Multiple plugging and unplugging cycles.
- \* High current carrying capacity



### Technical Parameters

Model	YLPVY5
Rated Voltage	1000V DC
Test Voltage	6000V(50Hz, 1min)
Overvoltage Type/Pollution Degree	CAT III /2
Contact Resistance Of Plug Connector	<1mΩ
Contact Material	Copper, Tin-plated
Insulation Material	PPO
Degree Of Protection	IP2X/IP67
Flame Class	UL94-VO
Safety Class	II
Suitable Cable	OD 4.5-8.5(2.5mm <sup>2</sup> -6.0mm <sup>2</sup> )
Insertion Force/Withdrawal Force	≤ 50N/ ≥ 50N
Connecting System	Crimp connection
Temperature Range	-40°C ~ +110°C